

MULTIFUEL



Traditional Cast Iron Stoves

The finest multifuel and woodburning stoves from

 **FRANCO BELGE**

Franco Belge have over 80 years experience in designing and manufacturing some of the world's finest wood-burning and solid-fuel cast iron stoves. The Belfort, Montfort, Monaco, Savoy, Limousin, Camargue, Ardennes, Monte Carlo and Parisienne are part of the Franco Belge family. Our appliances feature our powerful airwash system to provide cleaner burning and to help keep the glass doors free of unsightly deposits. All Franco Belge stoves are constructed from top grade cast iron for a lifetime of dependable service.

THE ADVANTAGES OF CAST IRON

There are many benefits of cast iron over other materials - for example once the fuel has expired the stove will retain heat for much longer when compared with stoves constructed from other materials. Cast iron has also proved to be more durable under high temperatures. Unlike steel, cast iron can be moulded into a large range of textures and designs giving our stoves their traditional appeal and added beauty.



ROOM SEALED STOVES

Room sealed stoves do not require additional ventilation as they are able to draw their primary air supply from outside your home. This means that additional building work is not required to install air-brick or similar wall ventilation, avoiding unwanted cold draughts in your room. We can supply a custom made ducting kit to suit your choice of stove to make installation as straight forward as possible. We currently offer a range of stoves that are room sealed appliances, these include the Montfort Elegance, Ardennes and Monte Carlo. Look out for the 'Room Sealed' logo in this brochure.



DEFRA APPROVAL

A DEFRA approved woodburning stove means that you can now burn wood in smoke controlled zones and enjoy a roaring log fire without breaking any rules. We offer a range of DEFRA approved woodburners in our range of cast iron stoves - look out for the logo in this brochure.

HEAT OUTPUTS

Franco Belge stoves are all capable of producing a substantial level of heat. Please consult with your local dealer with regards to the most suitable heat output for your intended installation.

FUEL RECOMMENDATIONS

We do not recommend the use of house coal with our products. You are advised to check the compatibility of the fuel you intend to use with your chosen stove before you commit to buy. For independent advice on all fuel types, please contact the Solid Fuel Association on 0845 601 4406.



CONTENTS	
STOVE	PAGE
Belfort	4 / 5
Montfort Classic	6 / 7
Montfort Elegance	8 / 9
Monaco	10 / 11
Savoy Classic	12 / 13
Savoy Elegance	14 / 15
Limousin	16 / 17
Camargue	18 / 19
Ardennes	20 / 21
Monte Carlo	22 / 23
Parisienne	24



WARRANTY

Our 5 year warranty covers all stove body castings, it does not include consumable items such as glass and door seals. This 5 year warranty is only applicable when the stove is purchased from one of our recommended retailers. If a stove from any of our brands is purchased from a non-recommended retailer then only a 12 month warranty will be applicable as outlined below.

All stoves are covered by a 1 year castings warranty when purchased through a non-recommended retailer. The warranty covers the stove body castings only and does not include consumable items such as grates, firebricks, vermiculite panels, baffles, log guards, door rope and glass.

Any warranty claims should be addressed to your original supplier and accompanied with the date of purchase and serial number of the appliance.



Savoy Elegance



Montfort Classic



Ardennes 11 Kw



STOVES AND THE ENVIRONMENT

THE ENVIRONMENT

We all have an obligation to the environment and its future. Making informed energy decisions now will be reflected in the environment around us in the years to come. Whether we put another log onto the fire or turn the central heating up a couple of degrees has an impact on the environment beyond just keeping us warm. The government have promised to reduce CO2 emissions by 50% by the year 2050. By installing a Franco Belge woodburning stove, you will be able to do your part in helping the environment.

SEASONING & STORING LOGS

Franco Belge are conscious of the environmental issues effecting our world. We recommend that you burn seasoned wood purchased from a sustainable forest management scheme. Because trees contain a lot of water, freshly cut logs will contain about 50% water and will be difficult to burn. Wood felled during one winter should be seasoned over the following summer. The logs should be cut to the required lengths and stored outside but under cover so they are protected from rain. If possible, it is always best to season the wood for two years before burning to enable the moisture content to be reduced to about 20%. If using wood with a higher moisture content, tar will be produced during the burning process.

WHY USE FIREWOOD?

Wood is naturally environmentally friendly as it consumes more Carbon Dioxide whilst growing than it emits during burning. It is also one of the very few fuels that is renewable in our lifetime. Most other sources of power come from fossil fuels - these take thousands of years to evolve and are being consumed faster than they can be replenished by nature.

EFFICIENCY

Woodburning is highly efficient - a modern electricity generating power station is in fact 20% less efficient at producing energy than your Franco Belge stove.

WOOD AS A RENEWABLE FUEL

If using wood from a sustainable source, (the pruning and harvesting of overgrown woodlands) not only provides fuel for woodstoves but also promotes the growth of healthy trees that can absorb up to three times as much CO2 as is released when the wood is burned. Because of this fact, The Carbon Trust recognise that wood is the only "carbon neutral rated" fuel available. The following chart formulated by The Carbon Trust gives examples of how many Kg of CO2 is emitted into the atmosphere from the average family home in the UK. (for more information on The Carbon Trust please visit their web site www.thecarbontrust.co.uk).

FUEL	Kgs of CO ² per week
Electricity	128 Kgs
Coal	116 Kgs
Oil	88 Kgs
Gas	63 Kgs
Coal/Water 50% mix	58 Kgs
Wood	ZERO Kgs

WOOD AND ITS EFFECT ON YOUR LOCAL ENVIRONMENT

Firewood management can create rural employment, increase revenue and play a major part in reversing rural decline. By thinning and coppicing, traditional woodland management can be re-established. It is the decline of this type of practice that has led to the loss of some of our most attractive British woodland and the wildlife that relies upon it.



Belfort

The smallest stove in the Franco Belge range, the Belfort is one of our most popular appliances. Its compact size and low heat output of 4.5 Kws makes this appliance perfect for smaller rooms or a secondary heat source on those chilly winter days. The Belfort is available in matt black stove paint and a wide range of colour enamel finishes, to enable you to match your stove to your interior decor scheme. As an optional extra, a brass trim door finish is available with the matt black model. The Belfort can be supplied with an optional glass lined hot water boiler this can be fitted at the time of installing your stove or can be added at a later date, should your circumstances require it.



- All cast iron construction for maximum heat transfer
- Airwash system for cleaner glass
- Ability to burn either wood or smokeless fuel
- No additional room ventilation required
- External riddling grate
- Top or rear flue outlet
- Retains heat long after the fire expires
- Glass lined hot water boiler option available
- Brass door finish option available



Belfort with optional brass finish door



Colour Options

A range of matching enamelled flue pipe is available from your Franco Belge dealer to enhance and complement the appearance of your stove installation. (Please note that Charcoal enamel flue pipe is not available)



Matt black stove paint
Product Code 1340411Y



Charcoal enamel
Product Code 1340411E



Majolica green enamel
Product Code 1340411J



Sapphire blue enamel
Product Code 1340411I



Burgundy enamel
Product Code 1340411C



Ivory enamel
Product Code 1340411P

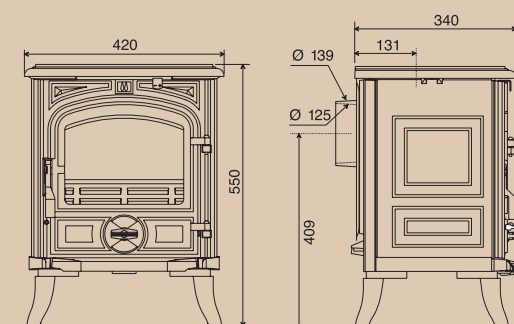
S P E C I F I C A T I O N S

Fuel	Wood & solid fuel
Nominal Output	4.5 Kws
Efficiency	74.3%
Max Hearth Temp	Less than 100°C
Weight	73 Kgs
Max Log Size	25 cm
Flue Diameter	125 mm (inside dia)
Flue Location	Top or rear
Boiler Output*	8,000 Btu/hour

*Glass lined boiler is available as an optional extra on Belfort model.

Height from floor to centre of rear flue outlet: 409mm

Distance from rear of appliance to centre of top flue outlet: 131mm



All dimensions in mm



Montfort Classic

One of Franco Belge's best selling stoves the Montfort Classic is the bigger sister to the Belfort. It's heat output of 5 Kws is the perfect size for medium sized rooms and can easily combat the cold weather. The Montfort Classic has a strong airwash system to help keep the glass clean and the wide door opening is perfect for fitting in those larger logs. The large ceramic glass provides excellent views of the flames for that cosy atmosphere. Available in traditional matt black stove paint and a wide range of beautiful enamel finishes for a look to complete your home.



- All cast iron construction for maximum heat transfer
- Powerful airwash system for cleaner glass
- Ability to burn either wood or smokeless fuel
- No additional room ventilation required
- External riddling grate
- Top or rear flue outlet
- Retains heat long after the fire has expired
- Ideal for heating small to medium sized rooms



Colour Options

A range of matching enamelled flue pipe is available from your Franco Belge dealer to enhance and complement the appearance of your stove installation. (Please note that Charcoal enamel flue pipe is not available)



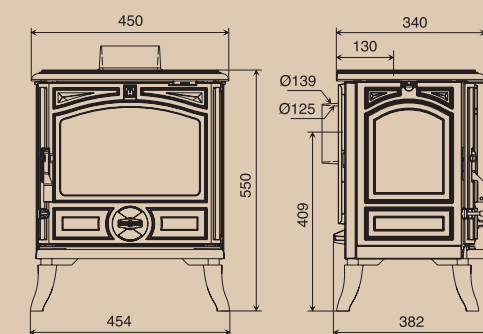
Matt black stove paint Product Code 1340501Y
 Charcoal enamel Product Code 1340501E
 Majolica green enamel Product Code 1340501J
 Sapphire blue enamel Product Code 1340501I
 Burgundy enamel Product Code 1340501C
 Majolica brown enamel Product Code 1340501L
 Ivory enamel Product Code 1340501P

S P E C I F I C A T I O N S

Fuel	Wood & solid fuel
Nominal Output	5.0 Kws
Efficiency	68.8%
Max Hearth Temp	Less than 100°C
Weight	75 Kgs
Max Log Size	33 cm
Flue Diameter	125 mm (inside dia)
Flue Location	Top or rear

Height from floor to centre of rear flue outlet: 409mm

Distance from rear of appliance to centre of top flue outlet: 130mm



All dimensions in mm

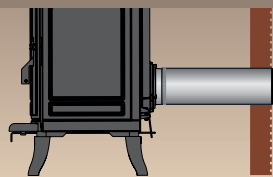
Montfort Elegance

The Montfort Elegance takes all the great characteristics of the original and builds on this heritage to create an all new and individual stove. As a 'room-sealed' stove, the Montfort Elegance can draw its primary air-supply from outside your home. This means no additional building work is required to create extra external wall ventilation in your room, and no unwanted cold draughts - this can be beneficial when designing new build properties. With a Vermiculite lining, powerful airwash system to keep the large glass door panel clear of deposits and a heat output up to 5 Kws the Montfort Elegance is the ideal stove for bringing a warm glow to any family living room. Available in traditional matt black and a wide range of stunning enamel finishes to complement your decor.



- All cast iron construction for maximum heat transfer
- Vermiculite lined for powerful combustion
- Powerful airwash system for cleaner glass
- Ability to burn either wood or smokeless fuel
- Room sealed stove
- No additional room ventilation required
- Top or rear flue outlet
- Retains heat long after the fire has expired
- Ideal for heating small to medium sized rooms

OPTIONAL DUCTING KIT



An optional ducting kit is available for the Montfort Elegance to take advantage of its room sealed characteristics. This kit contains all the ducting components required to complete your room sealed stove installation. Ducting Kit Part Number: KPA13405

Colour Options

A range of matching enamelled flue pipe is available from your Franco Belge dealer to enhance and complement the appearance of your stove installation. (Please note that Charcoal enamel flue pipe is not available).



Matt black stove paint
Product Code 1340502Y



Charcoal enamel
Product Code 1340502E



Majolica green enamel
Product Code 1340502J



Burgundy enamel
Product Code 1340502C



Majolica brown enamel
Product Code 1340502L



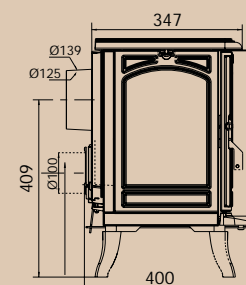
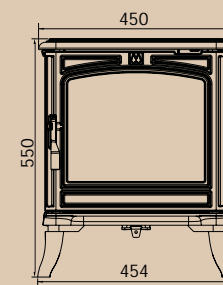
Ivory enamel
Product Code 1340502P

S P E C I F I C A T I O N S

Fuel	Wood & solid fuel
Nominal Output	5.0 Kws
Efficiency	75%
Max Hearth Temp	Less than 100°C
Weight	81 Kgs
Max Log Size	33 cm
Flue Diameter	125 mm (inside dia)
Flue Location	Top or rear

Height from floor to centre of rear flue outlet: 409mm

Distance from rear of appliance to centre of top flue outlet: 137mm



All dimensions in mm



Monaco

One of our latest designs, the Monaco is justifiably popular and hailed as the new 'classic' due to its contemporary twist on the traditional Franco Belge period style. The Monaco has large expanse of glass which shows off the fire to full effect and the powerful airwash system ensures that the glass is kept as clear as possible. Perfect for medium to large sized rooms with a heat output of 6 Kws this stove will keep a house warm and cosy all winter. Available in matt black stove paint and a range of stunning enamel finishes to suit your home.



- All cast iron construction for maximum heat transfer
- Vermiculite lined for powerful combustion
- Large ceramic glass door for superb views of the fire
- Efficient airwash system to keep the glass free from deposits
- Ability to burn either wood or smokeless fuel.
- Top or rear flue outlet
- Cast iron retains heat long after the fire has expired keeping your home warmer for longer
- Ideal for heating medium to large sized rooms
- Cleanburn Technology



10

11

Colour Options

A range of matching enamelled flue pipe is available from your Franco Belge dealer to enhance and complement the appearance of your stove installation. (Please note that Charcoal enamel flue pipe is not available).



Matt black stove paint
Product Code 1340602Y



Charcoal enamel
Product Code 1340602E



Majolica brown enamel
Product Code 1340602L



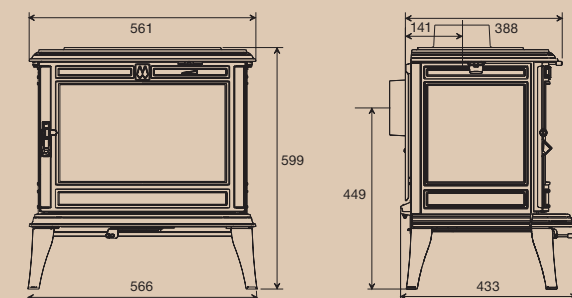
Ivory enamel
Product Code 1340602P

S P E C I F I C A T I O N S

Fuel	Wood & solid fuel
Nominal Output	6.0 Kws
Efficiency	70.3%
Max Hearth Temp	Less than 100°C
Weight	90 Kgs
Max Log Size	40 cm
Flue Diameter	125 mm (inside dia)
Flue Location	Top or rear

Height from floor to centre of rear flue outlet: 449mm

Distance from rear of appliance to centre of top flue outlet: 141mm



All dimensions in mm



Savoy Classic

The Savoy Classic is the bigger sister to the Montfort. The Savoy Classic benefits from having the largest ceramic glass door for a stove of its size, this provides excellent views of the fire. The Savoy Classic has an output of 8 kws which makes it ideal for providing a substantial amount of heat in a variety of rooms. However due to its compact dimensions this appliance is suitable for a wide range of installations. An optional glass lined boiler is available for extra hot water in your home (top exit installations only, not suitable for side loading door model). The boiler can be installed at the same time as the Savoy Classic or at a later date should you decide that an additional boiler would be a useful in your home. For a unique look the Savoy Classic has an optional brass trim door on the matt black model only.



12

- All cast iron construction for maximum heat transfer
- Large ceramic glass door panel
- Powerful airwash system for cleaner glass
- Ability to burn either wood or smokeless fuel.
- Top or rear flue outlet
- Retains heat long after the fire has expired
- Suited to a large range of rooms and installation options
- Also available with additional side loading door
- Brass finish door option available on the matt Black model
- Glass lined hot water boiler option available



Savoy with optional brass finish door

13

Colour Options

A range of matching enamelled flue pipe is available from your Franco Belge dealer to enhance and complement the appearance of your stove installation. (Please note that Charcoal enamel flue pipe is not available).



Matt black stove paint
Product Code 1340805Y



Charcoal enamel
Product Code 1340805E



Sapphire blue enamel
Product Code 1340805I



Ivory enamel
Product Code 1340805P



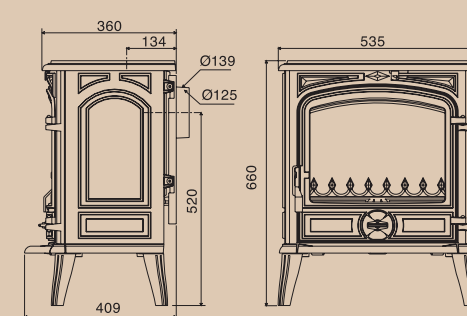
Burgundy enamel
Product Code 1340805C

S P E C I F I C A T I O N S

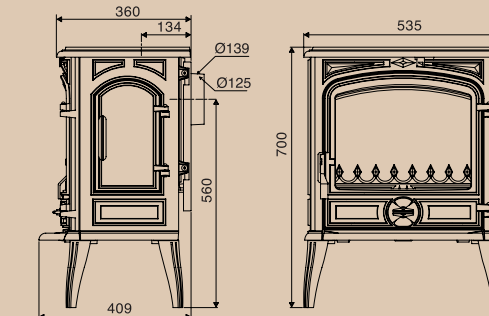
Fuel	Wood & solid fuel
Nominal Output	8.0 Kws
Efficiency	72.6%
Max Hearth Temp	Less than 100°C
Weight	100 Kgs
Max Log Size (Standard)	40 cm
Max Log Size (Side Door)	42 cm
Flue Diameter	125 mm (inside dia)
Flue Location	Top or rear
Boiler Output*	8,000 Btu/hour

*Glass lined boiler is available as an optional extra on Savoy model. Suitable for top exit installations only.

Savoy Classic



Savoy Classic with additional side loading door



Height from floor to centre of rear flue outlet: Standard 520mm, Side loading 560mm.
Distance from rear of appliance to centre of top flue outlet: 134mm

All dimensions in mm



Savoy Elegance

Following on from the great popularity of the Savoy Classic we proudly introduce a new model to the range - the Savoy Elegance. Available in two versions - multifuel and a DEFRA* approved model, DEFRA approval means that you can now burn wood in smoke controlled zones and enjoy a roaring log fire without breaking any rules. The raised features on the door and sides of the stove have been smoothed with only the outlines remaining for a touch of period style with a modern edge. The door is hinged on the side creating a larger expanse of glass for excellent views of the flames. This larger door also allows you to burn logs up to 42cm long. The Savoy Elegance has a very powerful airwash which ensures the glass stays virtually free from soot and tar deposits. With a heat output of 8 Kws the Savoy Elegance is powerful enough to heat a wide variety of rooms. However its compact dimensions make it suitable for a wide range of installations.



- Multifuel version burns either wood or smokeless fuel (model 1340809)
- DEFRA approved model allows you to burn logs and smokeless fuels in smoke controlled zones (model 1340811)
- All cast iron construction for maximum heat transfer
- The largest ceramic glass door panel for a stove of this size
- Top or rear flue outlet
- Vermiculite lining for greater efficiency and reduced harmful emissions
- Powerful airwash system for cleaner glass
- Retains heat long after the fire has expired
- Suited to a large range of rooms and installation options
- Additional height log guard available as optional extra (part no 307443)



Colour Options

A range of matching enamelled flue pipe is available from your Franco Belge dealer to enhance and complement the appearance of your stove installation. (Please note that Charcoal enamel flue pipe is not available).



Matt black stove paint
Product Codes - MF: 1340809Y
DEFRA wood: 1340811Y



Charcoal enamel
Product Codes - MF: 1340809E
DEFRA wood: 1340811E



Ivory enamel
Product Codes - MF: 1340809P
DEFRA wood: 1340811P



Burgundy enamel
Product Codes - MF: 1340809C
DEFRA wood: 1340811C

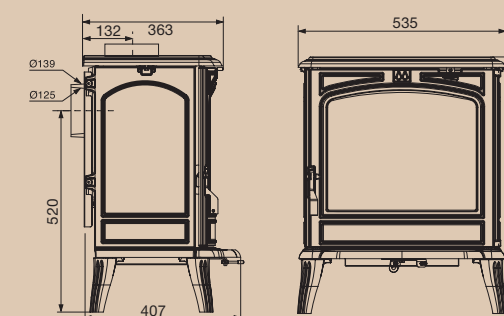
*DEFRA - Department for Environment, Food and Rural Affairs - please visit www.defra.gov.uk for further information.

S P E C I F I C A T I O N S

Fuel (Multifuel model)	Wood & solid fuel
Fuel (DEFRA model)	Wood & smokeless fuels
Nominal Output	8.0 Kws
Efficiency (Multifuel model)	80.6%
Efficiency (DEFRA model)	78%
Max Hearth Temp	Less than 100°C
Weight	135 Kgs
Max Log Size	42 cm
Flue Diameter	125 mm (inside dia)
Flue Location	Top or rear

Height from floor to centre of rear flue outlet: 520mm

Distance from rear of appliance to centre of top flue outlet: 132mm



All dimensions in mm



Limousin

The Limousin is one of the larger stoves in the Franco Belge range. The expansive glass door is kept as clear of deposits as possible by a strong airwash system. An outstanding feature of this stove is the additional side loading door which will enable you to fit in logs of up to 50 cm in length to produce maximum usage from your wood stocks. The stove is also available an optional brass finish door to create an individual and striking look in your home. The Limousin is ideal for larger rooms and for homes that require a substantial heat output. An optional 10,000Btu/hr output boiler can be installed to provide plenty of hot water to your home. This can also be retrofitted at a later date if required.



- All cast iron construction for maximum heat transfer
- High 10 Kw output for heating larger rooms
- Powerful airwash system for cleaner glass
- Ability to burn either wood or smokeless fuel.
- Top or rear flue outlet
- Side loading door allows longer logs to be burned
- Steel hot water boiler option available
- Brass finish door option available

16



17



Limousin with optional brass finish door

Colour Option



Matt black stove paint
Product Code 1341012Y

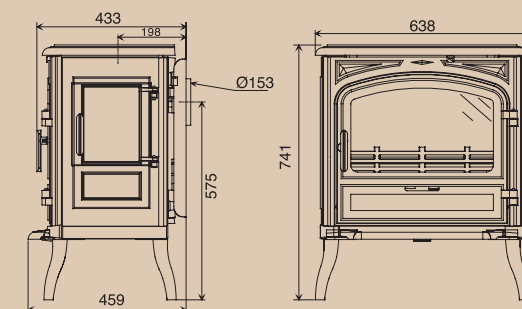
S P E C I F I C A T I O N S

Fuel	Wood & solid fuel
Nominal Output	10.0 Kws
Efficiency	71.9%
Max Hearth Temp	Less than 100°C
Weight	160 Kgs
Max Log Size	50 cm
Flue Diameter	150 mm (inside dia)
Flue Location	Top or rear
Boiler Output*	10,000 Btu/hour

*Boiler is available as an optional extra on Limousin model.

Height from floor to centre of rear flue outlet: 575mm

Distance from rear of appliance to centre of top flue outlet: 198mm



All dimensions in mm



Camargue

The Camargue has a different look to many of the Franco Belge stoves; with its distinctive brass coiled handles on the front and side loading doors. The additional side loading door comes as standard and makes easy work of loading longer logs. With an output of 10Kw and the benefit of a powerful airwash to help keep the glass free of deposits, means you not only have a focal point in the room but a thoroughly reliable heat source. Available in traditional matt black stove paint or Majolica green and Majolica brown enamel finish.



- All cast iron construction for maximum heat transfer
- Powerful airwash system for cleaner glass
- Ability to burn either wood or smokeless fuel.
- Luxurious enamel or traditional black finishes
- Top or rear flue outlet
- High heat output for larger rooms
- Side loading door - ideal for longer logs
- Elegant styling creates a visual centrepiece

18



Colour Options



Matt black stove paint
Product Code 1341015Y



Majolica green enamel
Product Code 1341015J



Majolica brown enamel
Product Code 1341015L



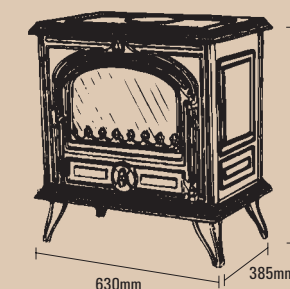
19

S P E C I F I C A T I O N S

Fuel	Wood & solid fuel
Nominal Output	10.0 Kws
Efficiency	72.4%
Max Hearth Temp	Less than 100°C
Weight	130 Kgs
Max Log Size	41 cm
Flue Diameter	150 mm (inside dia)
Flue Location	Top or rear

Height from floor to centre of rear flue outlet: 480mm

Distance from rear of appliance to centre of top flue outlet: 160mm



All dimensions in mm



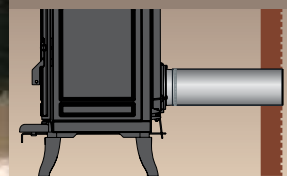
Ardennes

With its classic styling and choice of 2 different output sizes, the Ardennes is the perfect woodburning stove for creating a real fire atmosphere in your home. Both output models have a choice of door styles - double plain and double lattice option or the single plain door option. Equipped with an advanced airwash to help keep the glass clean and a tertiary baffle for cleaner emissions. As a 'room sealed' stove, the Ardennes has the ability to draw its primary air-supply from outside your home when using the optional ducting kit. This can be beneficial when designing a new build, it also means that you will not require an additional air vent within the room when using this option.*



- All cast iron construction for maximum heat transfer
- Choice of 11 Kw or 15 Kw heat outputs ideal for larger rooms
- Powerful airwash system for cleaner glass
- Room-sealed stove - no additional room ventilation required when installed with optional direct air venting kit
- Stove can be operated with the doors either open or closed for that open fire look
- Tertiary baffle for cleaner emissions - helping to protect the environment
- Retains heat long after the fire has expired
- Woodburning stove
- Top or rear flue outlet

OPTIONAL DUCTING KIT



An optional ducting kit is available for the Ardennes to take advantage of its room sealed characteristics. This kit contains all the ducting components required to complete your room sealed stove installation. Ducting Kit Part Numbers: KPA13413 (11KW) and KPA13415 (15KW)

Colour Options



Matt black stove paint



Charcoal enamel



Forest green enamel



Majolica brown enamel



Burgundy enamel



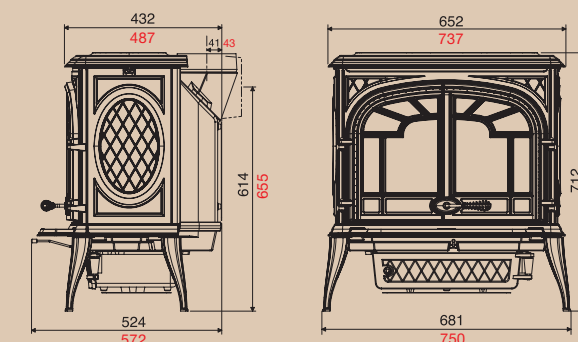
Ivory enamel

*If this appliance is not installed using the optional direct air venting kit, additional room air will be required. Your HETAS registered installer can advise you further.



S P E C I F I C A T I O N S

	11 Kws Model	15 Kws Model
Fuel	Wood only	Wood only
Nominal Output	11.3 Kws	14.9 Kws
Efficiency	73.3%	77.3%
Max Hearth Temp	Less than 100°C	Less than 100°C
Weight	140 Kgs	180 Kgs
Max Log Size	50 cm	57 cm
Flue Diameter	150 mm (inside dia)	150 mm (inside dia)
Flue Location	Top or rear	Top or rear



BLACK: 11 Kws model RED: 15 Kws model All dimensions in mm



Monte Carlo

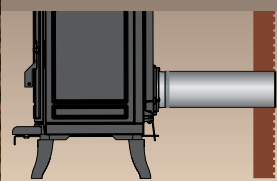
The Monte Carlo is a real power-house stove with an impressive 11.5 Kws of heat output - enough to keep even larger rooms beautifully warm. The massive glass door, with powerful airwash system to keep it clean, affords a stunning view of the fire. As a 'room-sealed' stove, the Monte Carlo has the ability to draw it's primary air-supply from outside your home when using the optional ducting kit. This can be beneficial when designing a new build, it also means that you will not require an additional air vent within the room when using this option.* With both front and side loading doors, the Monte Carlo can accept logs up to 55cm long, this larger log size means the stove can burn for longer periods with less refuelling required. Available in traditional matt black and a range of stunning enamel finishes, this is a stove designed to create a centrepiece in even the most imposing of rooms.



Side loading door



OPTIONAL DUCTING KIT



An optional ducting kit is available for the Monte Carlo to take advantage of its room sealed characteristics. This kit contains all the ducting components required to complete your room sealed stove installation. Ducting Kit Part Number: KPA13405

- All cast iron construction for maximum heat transfer
- Powerful airwash system for cleaner glass
- Massive ceramic glass door panel for a spectacular real fire experience
- Front and side loading doors allow longer logs to be loaded
- Room-sealed stove - no additional room ventilation required when installed with optional direct air venting kit
- Top or rear flue outlet
- Retains heat long after the fire has expired
- Ideal for heating larger rooms

Colour Options



Matt black stove paint
Product Code 1341207Y



Charcoal enamel
Product Code 1341207E



Forest green enamel
Product Code 1341207B



Majolica brown enamel
Product Code 1341207L



Burgundy enamel
Product Code 1341207C



Ivory enamel
Product Code 1341207P

*If this appliance is not installed using the optional direct air venting kit, additional room air will be required. Your HETAS registered installer can advise you further.

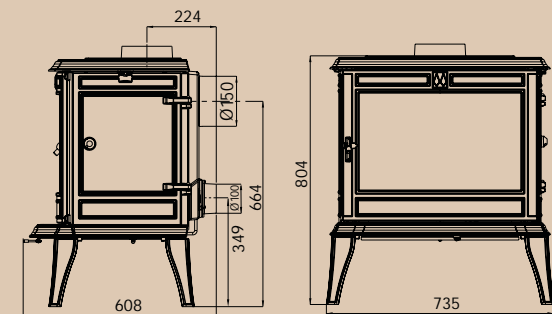
S P E C I F I C A T I O N S

Fuel	Wood only
Nominal Output	11.5 Kws
Efficiency	79%
Max Hearth Temp	Less than 100°C
Weight	180 Kgs
Max Log Size	55 cm
Flue Diameter	150 mm (inside dia)
Flue Location	Top or rear

Height from floor to centre of rear flue outlet: 664mm

Distance from rear of appliance to centre of top flue outlet: 221mm

Distance from rear of appliance to centre of top flue outlet when used in conjunction with ducting kit: 224mm





Parisienne

The Parisienne is the epitome of quintessential French styling. With its decorative detailed trim this stove stands out from the competition. This appliance has two models with a heat output of 3 Kws and 5 Kws making them ideal in environments where a freestanding stove is the ideal solution for example hallways or conservatories.

The Parisienne is available in four stunning colour options all with a black enamel finish stove body with enamel finish trims in Majolica green, burgundy, Majolica brown and a simple matt black finish.



- Heat outputs of 3 and 5 Kws
- Ability to burn either wood or smokeless fuel
- Rear flue outlet
- Top loading
- Attractive three legged continental styling
- Two sizes available in all four distinctive colour options

Colour Options



Black enamel body with green enamel detail
Product Code: 1240301J & 1240501J



Black enamel body with burgundy enamel detail
Product Code: 1240301C & 1240501C



Black enamel body with brown enamel detail
Product Code: 1240301L & 1240501L



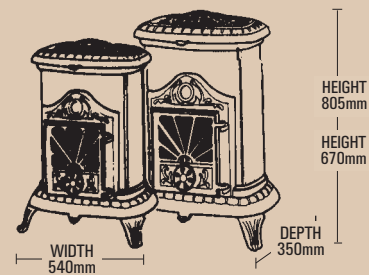
Black enamel body with matt black stove paint detail
Product Code: 1240301Y & 1240501Y

S P E C I F I C A T I O N S

	3 Kws Model	5 Kws Model
Fuel	Wood & solid fuel	Wood & solid fuel
Nominal Output	3.0 Kws	5.0 Kws
Efficiency	51.9%	69.8%
Max Hearth Temp	Less than 100°C	Less than 100°C
Weight	80 Kgs	95 Kgs
Flue Diameter	125 mm (external dia)	125 mm (external dia)
Flue Location	Rear	Rear

* All Parisienne stoves are available with rear flue outlets only. Please note due to this appliance being top loading only allow 32cm clearance above the appliance to enable the lid to be opened.

Height from floor to centre of rear flue outlet:
1240301 - 410mm
1240501 - 545mm



Depth and Width dimensions remain the same for both models

All dimensions in mm

Your local dealer:



ACR Heat Products Limited, Unit 1, Weston Works, Weston Lane, Tyseley Birmingham B11 3RP, England

Tel: 0121 706 8266 Fax: 0121 706 9182
E-mail: enquiries@acrheatproducts.co.uk www.acrheatproducts.co.uk

Franco Belge, Staub Fonderie S.A. 59660 Merville, France. Tel: 0033 3 28 43 43 00, Télécoque: 00 33 28 43 48 61

Issue 13 / January 2010