

# WOOD AND MULTI-FUEL STOVES



[www.docherty.co.uk](http://www.docherty.co.uk)

**docherty**<sup>®</sup>  
SINCE 1960



## Docherty<sup>®</sup> **delivers!**

Innovative contemporary  
wood burning stoves

Since it was founded in 1960, Docherty<sup>®</sup> has grown to become one of the largest independent manufacturers and distributors of flue and chimney products and heating appliances in the UK.

The company's vision has always been to provide its customers with superior products, offering excellent customer service, making them market leaders in solid fuel heating products for over 55 years.

Today Docherty<sup>®</sup> continues to evolve by extending their product range with quality wood burning and multi-fuel stoves and a greater range of renewable solutions.

# CONTENTS

THE BABY GABRIEL	4
ALPHA I	6
GRAPHITE 5	8
PRECISION I	10
SENZA	12
COSMO	14
COUNTRY 575	16
BELLA	18
OMEGA	20
NORD	22
TRENT	24
AVON	26
TAMAR	28
MONZA	30
CARTA	32
TECHNICAL DATA	34



The Baby Gabriel



# THE BABY GABRIEL

**hi-flame**  
MULTI FUEL STOVES

## Clearly a better burning stove

At 4.6kW output the Baby Gabriel is the hot favourite for home owners looking for a traditional cast iron stove that's not only practical and economical to run, but also represents truly outstanding value.

It is approved and listed by Defra as a smoke exempt appliance so you can burn wood legally in UK smoke control areas.

## Key features

- ✓ Quality cast iron wood burning stove
- ✓ Practical and economical to run
- ✓ 4.6 kW output
- ✓ Net efficiency: 78%
- ✓ 5 year warranty
- ✓ DEFRA exempt
- ✓ Enamelled options available on order: black, pewter and ivory



Alpha 1



# ALPHA 1

**hi-flame**  
MULTI FUEL STOVES

## A better built and better burning stove

The Alpha 1 features state-of-the-art clean burn pre-heated tertiary air which wrings out every last bit of heat from your fuel to maximise efficiency and create a greener, better burning stove.

### Key features

- ✓ Multi-fuel stove
- ✓ Quality cast iron lids and doors
- ✓ Heavy duty steel body
- ✓ Easy maintenance
- ✓ Clean Burn Combustion System
- ✓ Airwash Glass Cleaning System
- ✓ Energy independence, energy efficiency and kinder to the planet
- ✓ Output to room: 4.9kW
- ✓ Efficiency: 84.3%



Graphite 5





# GRAPHITE 5

**hi-flame**  
MULTI FUEL STOVES

## Energy independence, energy efficiency and kinder to the planet

The Graphite 5 incorporates state-of-the-art clean burn technology – something you still don't see on the average stove. The unique Pre-heated Tertiary Air System, where the combustion air passes into the top of the firechamber through an extremely hot cast iron backplate, ensures cleaner burning – even at the end of the burn cycle. This makes the Graphite kinder to the environment as well as highly efficient and inexpensive to use.

### Key features

- ✓ Multi-fuel stove
- ✓ Unique Heat convection system
- ✓ Heavy duty steel body
- ✓ Easy maintenance
- ✓ Airwash Glass Cleaning System
- ✓ Efficient multi-fuel operation
- ✓ Extended 5 year warranty
- ✓ Output to room: 4.9kW
- ✓ Efficiency: 84.3%



Precision 1



# PRECISION 1

**hi-flame**  
MULTI FUEL STOVES

## Cleaner, greener and smarter multi-fuel stove

The Precision stove has been engineered with advanced Clean Burn technology throughout to ensure that it's ultra-friendly to the environment. The Precision is affordable, totally practical and designed to be around for a very long time.

### Key features

- ✓ Multi-fuel stove
- ✓ Pre-heated Secondary Airwash system for clear glass
- ✓ Pre-heated Tertiary Air for clean burning
- ✓ Primary Air for mineral fuel burning
- ✓ Heavy duty steel body
- ✓ Premium cast iron multi fuel grate
- ✓ Premium cast iron firechamber back plate
- ✓ Premium cast iron lid and door
- ✓ Output to room: 4.9kW



Jydepejsen Senza



Follow the link for video

# SENZA

Jydepejsen®  
Fire by Design Since 1979

## Perfect for your cottage

Senza is very suitable for cottages with low heat requirements, as for instance low-energy houses, smaller rooms or summer cottages. The entire front as well as the top are made of solid cast iron. The door is self-locking with magnets, which makes the stove look elegant and stylish. Senza is available in two versions, with or without side glass. The model with side glass offers a beautiful view of the fire from a total of three sides.



## Key features

- ✓ Self-closing door
- ✓ DuplicAir - simple and precise regulation
- ✓ Cast iron front
- ✓ Nominal output: 5kW
- ✓ Defra exempt
- ✓ RLU certified (for airtight properties)



Senza



Senza with side glass

Jydepejsen Cosmo



Follow the link for video

# COSMO

Jydepejsen®  
Fire by Design Since 1979

## Simple design - premium quality

Cosmo is a nice combination of modern design and functionality. With its simple design Cosmo appeals to many different styles of interior. The stove is made of materials of the highest quality and comes in several variations, e.g. soapstone, sandstone or ceramic.



## Key features

- ✓ Simple classic design
- ✓ Cast iron front
- ✓ Fresh-air intake option
- ✓ DuplicAir - simple and precise regulation
- ✓ Nominal output: 5kW
- ✓ Defra exempt



Cosmo 971



Cosmo 1147

Jydepejsen Country



Follow the link for video





## COUNTRY 575

### Country idyll and functionality

Country is our classic piece of pride. Design, efficiency and high quality go hand in hand in this wood-burning stove. A simple and smart stove made of steel, suitable for many homes and perfect for the summer cottage. While maintaining a traditional shape the Country offers a contemporary style with fully updated functions.



### Key features

- ✓ Classic design
- ✓ DuplicAir - simple and precise regulation
- ✓ Nominal output: 5kW
- ✓ 2 height options
- ✓ 5 year warranty
- ✓ Made in Denmark
- ✓ Defra exempt



Jydepejsen Bella



Follow the link for video

# BELLA

Jydepejsen®  
Fire by Design Since 1979

## Timeless design - perfect for small rooms

Bella has a lot in common with Senza and is perfect for low-energy houses or homes with low space heating requirements. By default, Bella is delivered with a self-closing door and a fresh air intake option. This model has a door with complete glass front, which together with its integrated handle creates a pure style modern look.

Accumulation stones can be purchased as an accessory.



### Key features

- ✓ Self-closing door
- ✓ Fresh-air intake option
- ✓ SCHOTT ROBAX® fire viewing panels
- ✓ Nominal output: 5kW
- ✓ Defra exempt
- ✓ RLU certified (for airtight properties)



Bella



Bella with  
Side Glass



Jydepejsen Omega



Follow the link for video

# OMEGA

Jydepejsen®  
Fire by Design Since 1979

## Wood burning stove with automatic control

The new Omega combines technology, ease of use and design into one smart package. The stove is one of the first in the market to combine smart technology and the interaction with the user through the app for the homeowner's smartphone.



### Key features

- ✓ Self-closing door
- ✓ Fresh-air intake option
- ✓ SCHOTT ROBAX® fire viewing panels
- ✓ Nominal output: 5kW
- ✓ Smart control from your phone or tablet
- ✓ Different height options
- ✓ Defra exempt
- ✓ RLU certified (for airtight properties)
- ✓ **Hearth & Home Awards Winner 2016**  
(Wood Log Appliance of the Year >5kW up to 10kW)



Jydepejsen Nord



## NORD

### Quality and beautiful design

The Nord range of Jydepejsen wood burning stoves impresses with its quality finish and modern design at a reasonable price. Nord is equipped with solid handles and air control in polished stainless steel. The wood is easy to fit into the large combustion chamber which contains over 34 cm logs in the deep cast iron bottom. As standard the stoves are delivered including fresh air connection and a door for wood compartment. Distance to combustible material is only 10 cm to the side or back.

### Key features

- ✓ Nominal output: 7 kW
- ✓ 80% efficiency
- ✓ Fresh-air intake option



Nord 1



Nord 3

Docherty® Trent





## TRENT

Pleasant radiant heat for cosy hours at home

Thanks to the extremely shallow and oval shape the Trent easily finds its place in any home.

Thanks to the side glass it radiates pleasant warmth and comfort evenly from three sides.

### Key features

- ✓ Premium quality woodburner
- ✓ Nominal output: 5.7kW
- ✓ 80% efficiency
- ✓ Closeable grate for more efficient combustion
- ✓ Side glass for a clear view of the fire



Trent with Pedestal



Trent

Docherty® Avon



## AVON

### Timeless design - perfect for small rooms

The Avon meets all the requirements of today's modern homes. The slim cylindrical body allows the stove to be installed even in the smaller interiors of low-energy houses. The dominant feature of the stove is its extensive glazing with black, glossy printing.

The elegant stainless steel handle leads vertically up to the top of the stove, enabling the door to be easily opened in an upright position by the user. The stove is equipped with central air inlet.

### Key features

- ✓ Premium quality woodburner
- ✓ Nominal output: 5kW
- ✓ 80% efficiency
- ✓ Central air inlet
- ✓ Slim cylindrical body
- ✓ Pneumatic door for silent operation



Docherty® Tamar



The fine adjustable regulation permits optimal firing technique

## TAMAR

### Intelligent automatic regulation for optimal firing technique

The Tamar combines modern design and the finest internal technology. The elegant glass front and the optimised combustion technology of the stove merge into one unbeatable unit. The SIC 700 automatic control technology regulates all combustion processes and represents the maximum comfort and low fuel consumption.

....SIC700

#### Key features

- ✓ Premium quality woodburner
- ✓ Nominal output: 5.4kW
- ✓ 80.9% efficiency
- ✓ Safe, hydraulic self-closing door mechanism
- ✓ Tertiary air - a perfect flame pattern and an optimised combustion
- ✓ Large viewing window
- ✓ Closeable grate for more efficient combustion
- ✓ SIC automatic regulation
- ✓ RLU certified (for airtight properties)



StovAmore® Carta



## CARTA

### Quality and beautiful design

The Carta impresses with its quality finish and modern design at a reasonable price. With a popular elliptical base, Carta is equipped with an ergonomically shaped door handle and pre-heating of the secondary air to keep the glass clean.

The curved glass provides a great view of the fire.

### Key features

- ✓ Nominal output: 5.9kW
- ✓ 83% efficiency
- ✓ Suitable for low energy houses
- ✓ Big cast-iron grate at the bottom of the furnace for up to 50 cm logs
- ✓ Ergonomically shaped door handle
- ✓ Preheating of the secondary air to keep the glass clean



StovAmore® Monza





## MONZA

### Quality and beautiful design

The Monza impresses with its quality finish and modern design at a reasonable price. The stove is equipped with an ergonomically shaped door handle and preheating of the secondary air to keep the glass clean. The curved glass provides a great view of the fire.

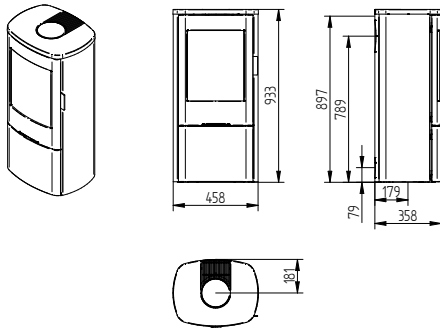
### Key features

- ✓ Nominal output: 5.9kW
- ✓ 83% efficiency
- ✓ Suitable for low energy houses
- ✓ Ergonomically shaped door handle
- ✓ Air regulation with only one control
- ✓ Preheating of the secondary air to keep the glass clean



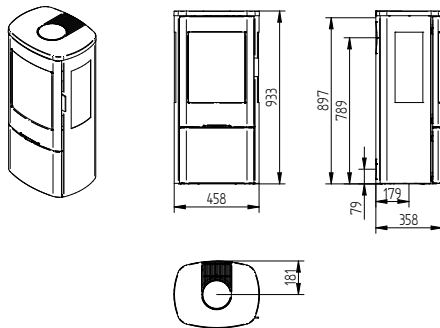
## TECHNICAL DETAILS

### Senza



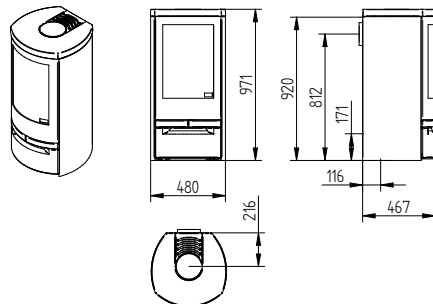
Nominal output	5 kW
Efficiency	82%
Weight	96 kg
Flue outlet	150mm
Dimensions (mm)	H 930 x W 460 x D 360
Distance to combustibles (mm)	Side 300 / Rear 200 / Front 850
Combustion chamber (mm)	H 430 x W 318 x D 255
Defra exempt	Yes
RLU certified	Yes
Fuel	Wood

### Senza with side glass



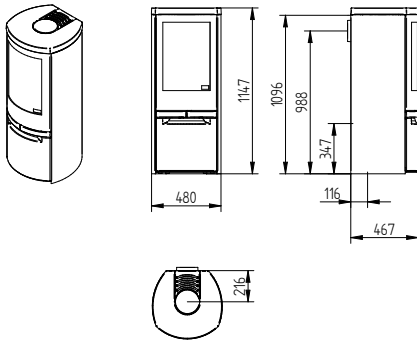
Nominal output	5 kW
Efficiency	82%
Weight	95 kg
Flue outlet	150mm
Dimensions (mm)	H 930 x W 460 x D 360
Distance to combustibles (mm)	Side 300 / Rear 200 / Front 850
Combustion chamber (mm)	H 430 x W 318 x D 255
Defra exempt	Yes
RLU certified	Yes
Fuel	Wood

### Cosmo 971



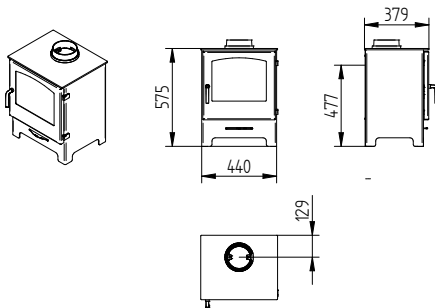
Nominal output	5 kW
Efficiency	80%
Weight	144 kg
Flue outlet	150mm
Dimensions (mm)	H 970 x W 480 x D 470
Distance to combustible without insulated flues (mm)	Side 350 / Rear 50 / Front 1000
Distance to combustible with insulated flues (mm)	Side 300 / Rear 200 / Front 1000
Combustion chamber (mm)	H 415 x W 365 x D 325
Defra exempt	Yes
Fuel	Wood

## Cosmo 1147



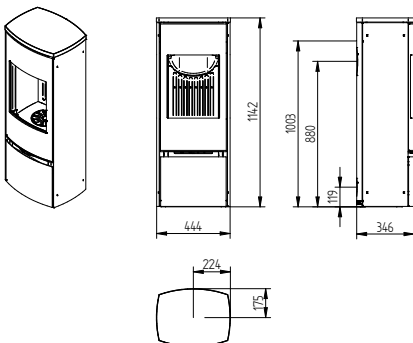
Nominal output	5 kW
Efficiency	80%
Weight	156 kg
Flue outlet	150mm
Dimensions	H 1150 x W 480 x D 470
Distance to combustible without insulated flues (mm)	Side 350 / Rear 50 / Front 1000
Distance to combustible with insulated flues (mm)	Side 300 / Rear 200 / Front 1000
Defra exempt	Yes
Fuel	Wood

## Country 575



Nominal output	5 kW
Efficiency	84%
Weight	94 kg
Flue outlet	150mm
Dimensions (mm)	H 580 x W 450 x D 380
Distance to combustible without insulated flues (mm)	Side 450 / Rear 275 / Front 850
Distance to combustible with insulated flues (mm)	Side 425 / Rear 225 / Front 850
Defra exempt	Yes
Fuel	Wood

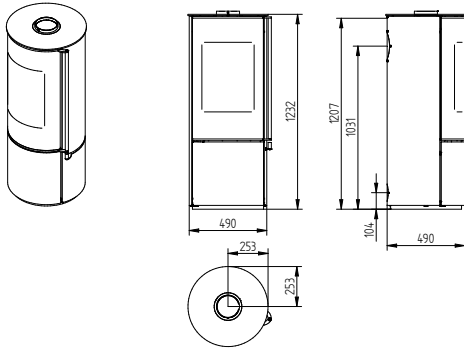
## Bella



Nominal output	5 kW
Efficiency	82%
Weight	125 kg
Flue outlet	150mm
Dimensions (mm)	H 1144 x W 444 x D 346
Distance to combustible without insulated flues (mm)	Side 300 / Rear 200 / Front 950
Distance to combustible with insulated flues (mm)	Side 300 / Rear 200 / Front 850
Defra exempt	Yes
RLU certified	Yes
Fuel	Wood

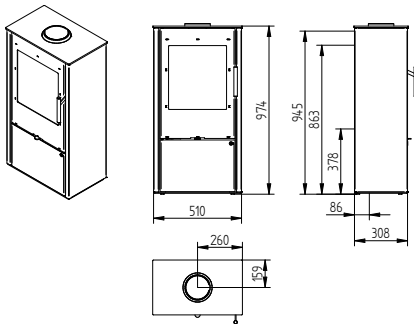
# TECHNICAL DETAILS

## Omega



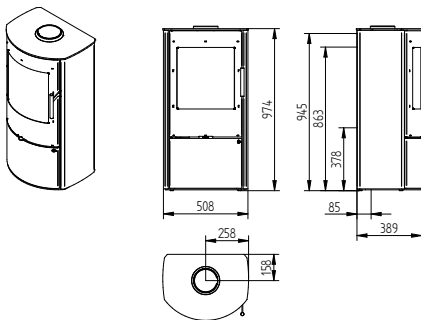
Nominal output	5 kW
Efficiency	79%
Weight	144 kg
Flue outlet	150mm
Dimensions (mm)	H 1231 x W 490 x D 490
Distance to combustibles (mm)	Side 430 / Rear 170 / Front 850
Defra exempt	Yes
RLU certified (for airtight properties)	Yes
Fuel	Wood

## Nord 1



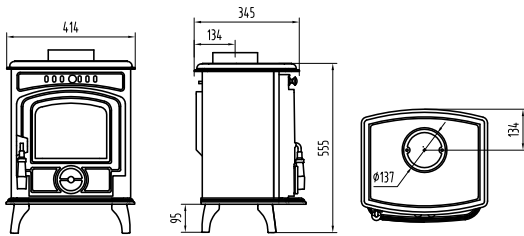
Nominal output	7 kW
Efficiency	80%
Weight	120 kg
Flue outlet	150mm
Dimensions (mm)	H 996 x W 520 x D 318
Distance to combustible (mm)	Side 100 / Rear 100 / Front 800
Combustion chamber (mm)	H 400 x W 290 x D 344
Fuel	Wood

## Nord 3



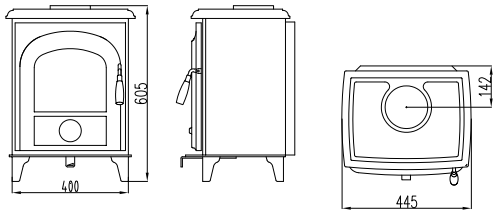
Nominal output	7 kW
Efficiency	80%
Weight	125 kg
Flue outlet	150mm
Dimensions (mm)	H 996 x W 516 x D 397
Combustion chamber (mm)	H 400 x W 290 x D 344
Distance to combustibles (mm)	Side 100 / Rear 100 / Front 800
Fuel	Wood

## The Baby Gabriel



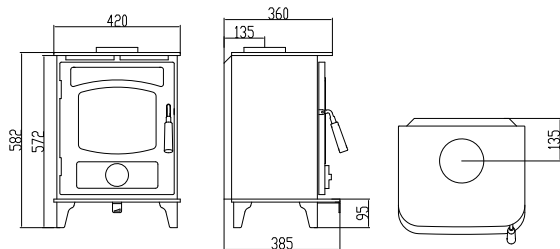
Nominal output	4.6 kW
Efficiency	75%
Weight	83 kg
Flue outlet	125mm
Dimensions (mm)	H 555 x W 414 x D 345
Distance to combustibles (mm)	Side 350 / Rear 450 Top: not recommended
Defra exempt	Yes
Fuel	Wood

## Alpha 1



Nominal output	4.9 kW
Efficiency	84.3%
Weight	79 kg
Flue outlet	125mm
Dimensions (mm)	H 605 x W 445 x D 425
Distance to combustibles (mm)	Rear 900 Side 700
Defra exempt	Yes
Fuel	Wood and Multi-fuel

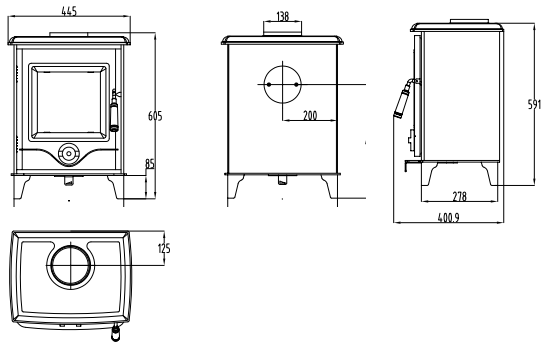
## Graphite 5



Nominal output	4.9 kW
Efficiency	84.3%
Weight	87 kg
Flue outlet	125mm
Dimensions (mm)	H 585 x W 420 x D 385
Distance to combustibles (mm)	Rear 900 / Sides 700
Defra exempt	Yes
Fuel	Wood and Multi-fuel

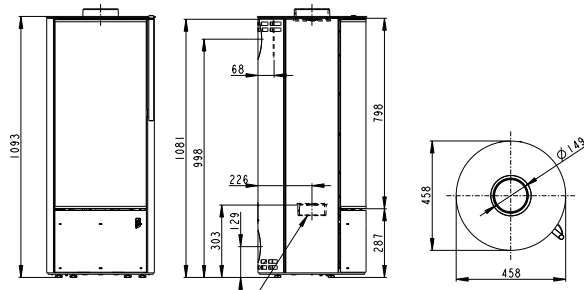
# TECHNICAL DETAILS

## Precision 1



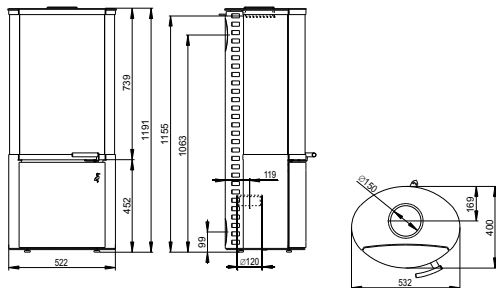
Nominal output	4.9 kW
Efficiency	84.3%
Weight	79 kg
Flue outlet	125mm
Dimensions (mm)	H 605 x W 445 x D 401
Distance to combustibles (mm)	Rear 900 / Sides 700
Defra exempt	Yes
Fuel	Wood and Multi-fuel

## Avon



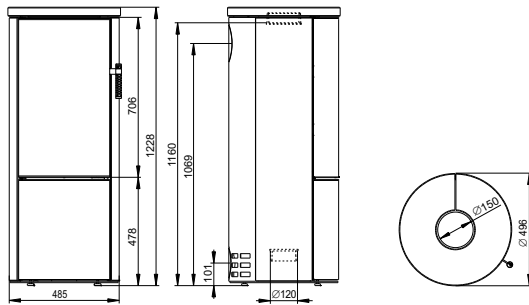
Nominal output	5 kW
Efficiency	80%
Weight	134 kg
Flue outlet	150mm
Dimensions (mm)	H 1093 x W 458 x D 458
Distance to combustibles (mm)	Front 800 / Sides & Back 100
Fuel	Wood

## Trent



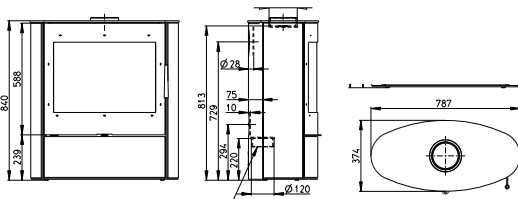
Nominal output	5.7 kW
Efficiency	80%
Weight	136 kg
Flue outlet	150mm
Dimensions (mm)	H 1191 x W 532 x D 400
Distance to combustibles (mm)	Rear & side 100 / Front 800
Fuel	Wood

## Tamar



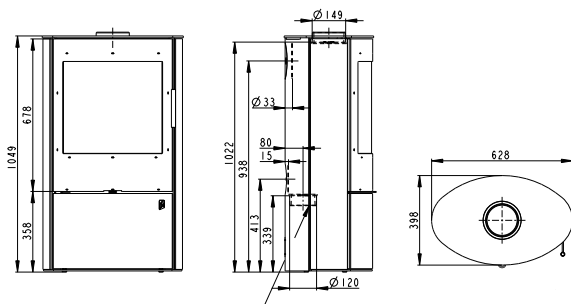
Nominal output	5.4 kW
Efficiency	80.9%
Weight	225 kg
Flue outlet	150mm
Dimensions (mm)	H 1228 x W 496 x D 496
Distance to combustibles (mm)	Rear & side 150 / Front 800
RLU certified (for airtight properties)	Yes
Fuel	Wood

## Carta



Nominal output	5.9 kW
Efficiency	83%
Weight	164 kg
Flue outlet	150 mm
Dimensions (mm)	H 862 x W 787 x D 374
Distance to combustibles (mm)	Rear & Side 200 / Front 800
Fuel	Wood

## Monza



Nominal output	5.9 kW
Efficiency	83.6%
Weight	134 kg
Flue outlet	150mm
Dimensions (mm)	H 1049 x W 628 x D 398
Distance to combustibles (mm)	Rear & Side 200 / Front 800
Fuel	Wood

Docherty<sup>®</sup> **delivers!**

Quality, innovation and design

**docherty**<sup>®</sup>  
SINCE 1960



**Docherty Group**

55 Woodburn Road, Birmingham, B66 2PU

Tel: 0121 555 6789

Email: [sales@docherty.co.uk](mailto:sales@docherty.co.uk)

[www.docherty.co.uk](http://www.docherty.co.uk)

