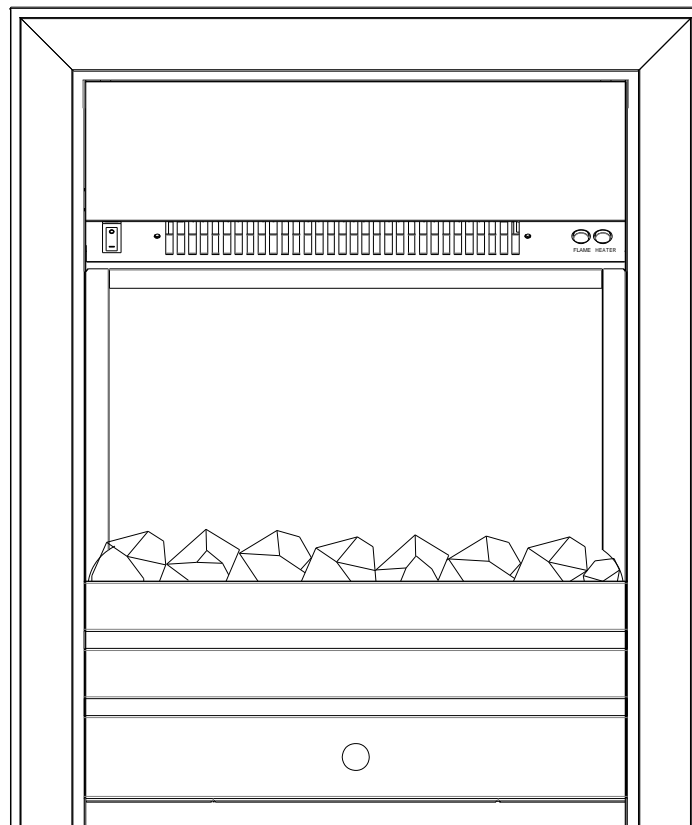


# 2kw Remote Control Electric Fire.

User and Installation Instructions

TRAVERSE



**Please read the instructions carefully before the installation or use of this electric fire and retain for future reference.**

### **IMPORTANT INFORMATION**

- z This heater must not be located immediately below a socket-outlet.
- z This heater must be earthed. If in any doubt consult a suitable competent person. z This appliance can be used by children aged from 8 years and above and persons with reduced physical, sensory or mental capabilities or lack of experience and knowledge if they have been given supervision or instruction concerning use of the appliance in a safe way and understand the hazards involved.
- z In order to avoid a hazard due to inadvertent resetting of the thermal cutout, this appliance must not be supplied through an external switching device, such as a timer, or connected to circuit that is regularly switched on and off by utility.
- z This appliance is not intended for use by persons (including children) with reduced physical, sensory or mental capabilities, or lack of experience and knowledge, unless they have been given supervision or instruction concerning use of the appliance by a person responsible for their safety.
- z Children shall not play with the appliance.
- z Cleaning and user maintenance shall not be made by children without supervision.
- z Children of less than 3 years should be kept away unless continuously supervised.
- z Children aged from 3 years and less than 8 years shall only switch on/off the appliance provided that it has been placed or installed in its intended normal operating position and they have been given supervision or instruction concerning use of the appliance in a safe way and understand the hazards involved. Children aged from 3 years and less than 8 years shall not plug in, regulate and clean the appliance or perform user maintenance.
- z Some parts of this product can become very hot and cause burns. Particular attention has to be given where children and vulnerable people are present.
- z Do not use this fire as a free-standing appliance. It must always be fixed to the wall, fireplace mantel, floor etc.
- z Do not cover this heater, or obstruct the air inlet or outlet, otherwise there is a risk of overheating.
- z Do not use the heater outdoors or in the immediate surrounds of a bath, shower, or a swimming pool.

### **APPLIANCE DATA**

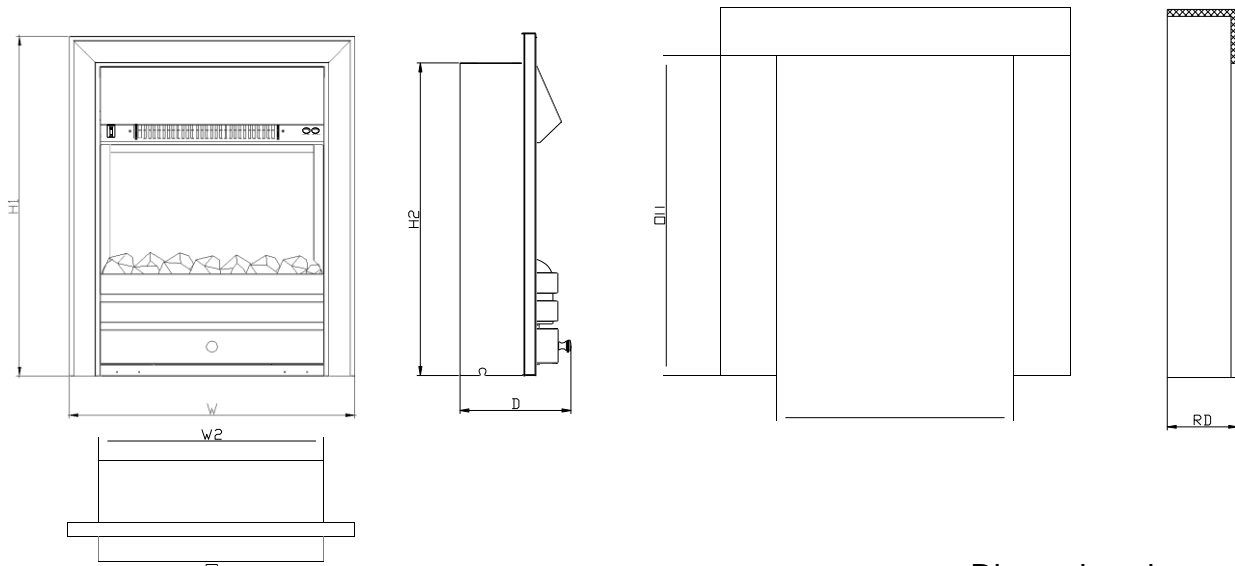
Supply Voltage	AC 220-240V 50Hz
Heating Element	2 x 1000W
Mains Cable	1 x 1.7m (approx)
Illumination	LED system (no replaceable parts)

### **PARTS AND CONTENT**

Please read these instructions carefully. And check that all parts are removed from the packing.

- Remote control handset - 1pc
- Batteries - 2pcs
- Installation and Users Instructions - 1pc

## DIMENSIONS



Dimensions in mm

Model	Width (W1)	Width (W2)	Height (H1)	Height (H2)	Depth (D)	Mantel opening size		Mantel Minimum Depth (RD)	
						Width (OW)	Height (OH)	With spacer frame	No spacer frame
E112	510	405	605	552	207	420	565	75	110

Spacer frames to reduce the minimum rebate depth to 75 mm and a full depth flat wall fix spacer can be purchased from your supplier.

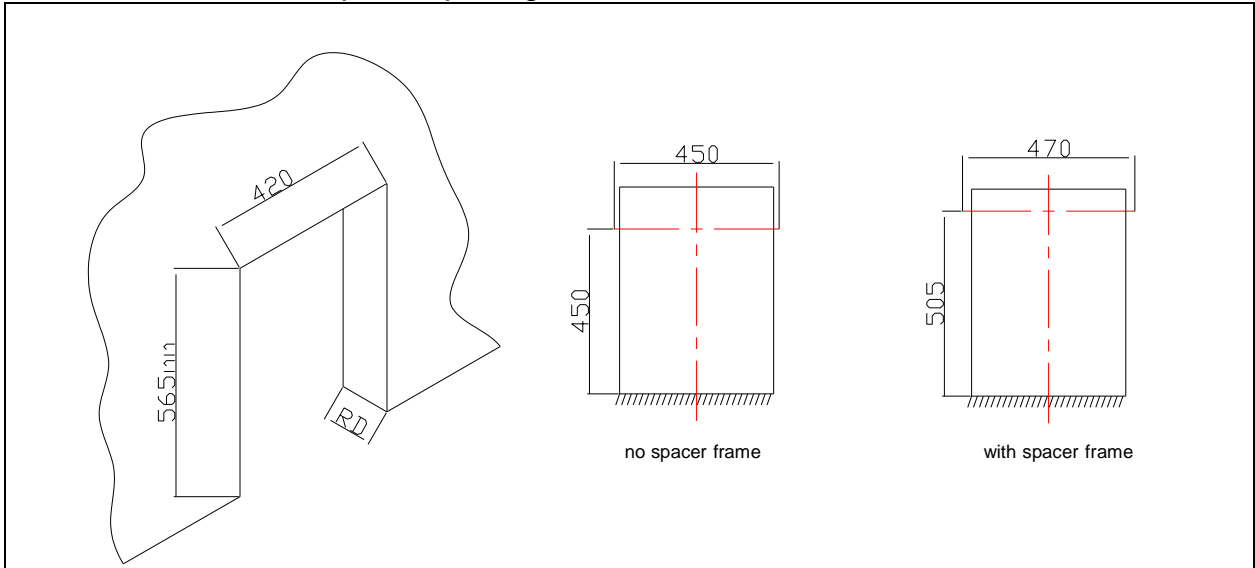
## INSTALLATION

### NOTE:

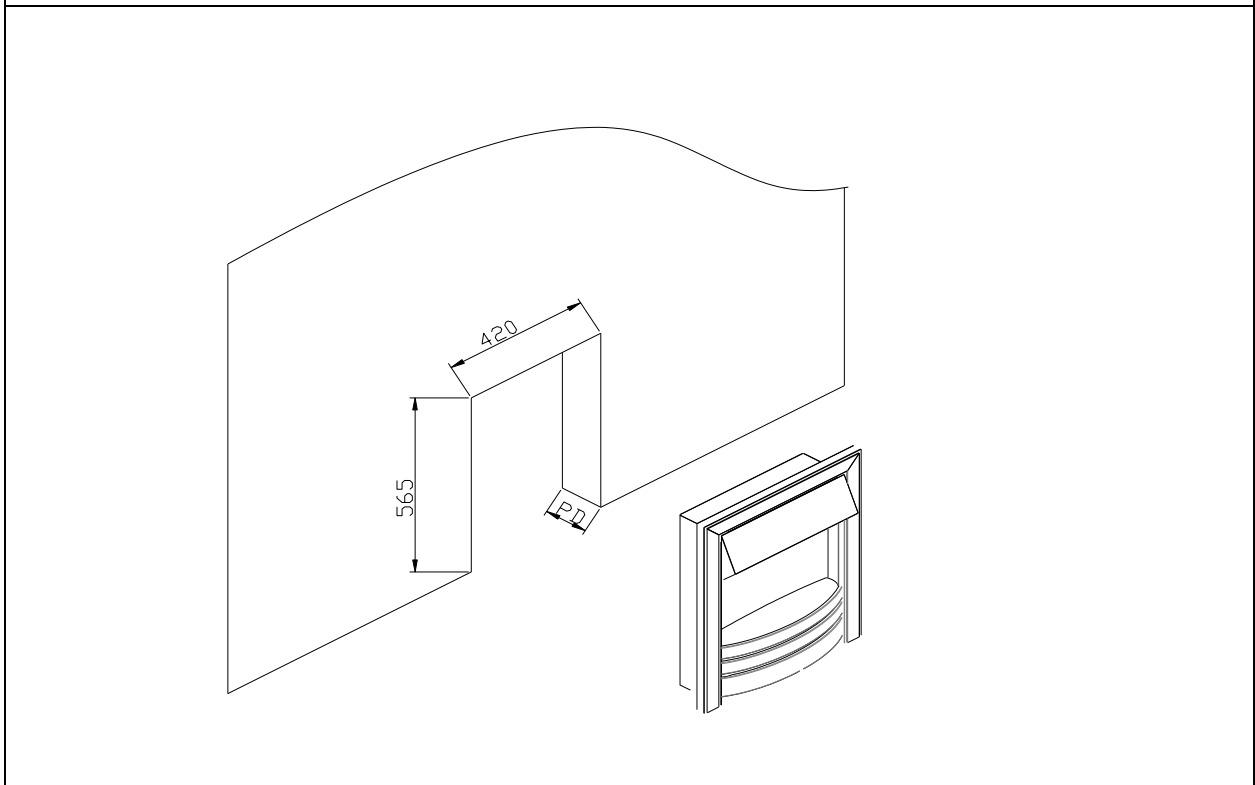
Do NOT use this Electric Fireplace if any part has been under water. Immediately call a qualified service technician to inspect and to replace any part of the electrical system if necessary. Keep plastic wrapping away from children. Lift fire into position in any fireplace to prevent scratching the hearth panel;

- z Unpacking the heater carefully, make sure that the appliance is intact with no signs of damage caused by transport. If in doubt, do not use the appliance and contact an authorised service centre. Please save the original packaging as this may be required in the event of a service complaint with the product.
- z Do not place the electric fire directly on carpets. This to avoid possible discolouring caused by the heat or blockage of air inlets.
- z Make sure that the plug or switched fused spur is accessible after the electric fire is fitted.
- z If the power cord is damaged, it must be repaired by the manufacturer, its authorised service centre or professional person.
- z Before connecting the appliance make sure that its rating corresponds to that of the mains supply and the fuse is the correct rating.
- z The appliance should be located close to a suitable mains socket to enable connection. The electrical socket must be easily accessible to allow disconnection.

● Installation into a fireplace opening/insert



Carefully mark out the fixing screw positions as above, drill and plug the holes and fit two pan head screws leaving approximately 2mm between the wall/panel and the underside of the screw head. Lift the fire into position so the keyhole slots locate on the screw heads. See Dimensions on previous page for rebate depth requirements (RD)



Install insert from the front of mantel

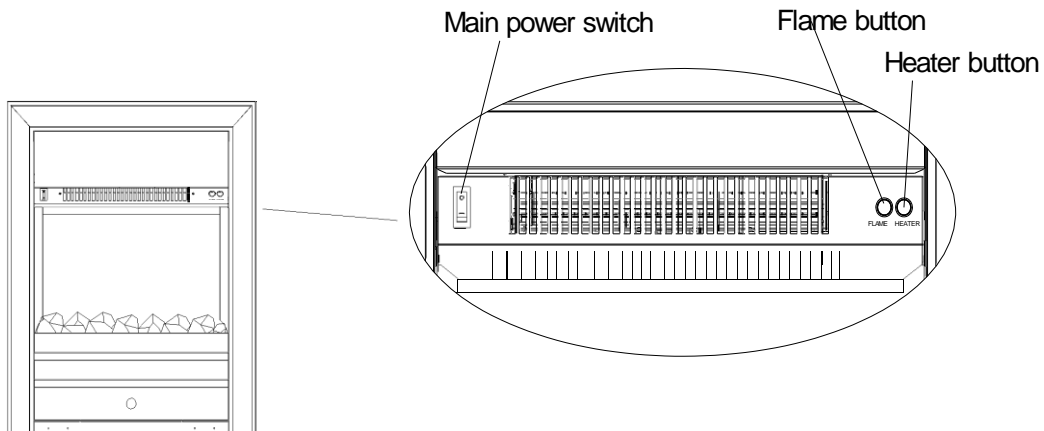
**Noted: Remove the transit bracket on the bottom of the rear of the fire if required.**

## OPERATION

This appliance can be operated by both remote control and manual button. Once the unit has been properly connected to an earthed electrical outlet, turn on the main switch. A beep should be heard when the power is first applied.

**NOTE: To use both remote and manual functions the main on/off switch must be in the 'on' position.**

### ● Operating by Manual Button



**NOTE: The flame will always operate when the appliance is switched at the main power switch.**

### Main power switch

The POWER switch supplies power to all of the functions of the fireplace. This switch must be in the "ON" position for any of the functions including the remote to work.

### Flame button

The fire has four flame effect settings. Pressing the flame effect button will cycle the fire through each effect.

### Heater button

Press once and the heater fan will turn on, and 8secs later the element will switch on to the low setting. (Pilot lights illuminated ●○)

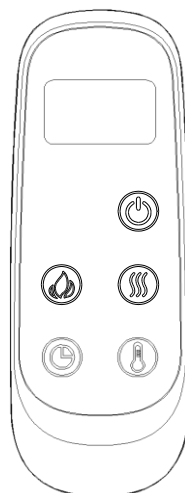
Press again turns on High heat. (Pilot lights illuminated ●●)

Press again and it will turn the heat off. 8secs later the heater fan will turn off. (Pilot lights illuminated on fire screen ○○)




There are 3 levels you can cycle through including the OFF setting.

### ● Operating by Remote Handset

- z **Make sure the batteries are installed properly in the remote control.**
- z **The effective range of the remote control is up to 4 metres or 13 feet.**



**Multifunction Infrared Remote Handset**

ICON	TITLE	FUNCTION
	POWER	Press once will turn the fire on. Press again turns the fire off.
	FLAME	The fire has four flame effect settings. Pressing the flame effect button will cycle the fire through each effect.
	HEATER	Pressing once will turn the heater fan on. 8secs later the element will switch on to the low heat setting. (Pilot lights illuminated on fire screen ●○) Press again turns on High heat. (Pilot lights illuminated on fire screen ●●) Press again and it will turn the heat off. 8secs later the heater fan will turn off. (Pilot lights illuminated on fire screen ○○) There are 3 levels you can cycle through including the OFF setting.
	TEMP	Digital display shows the TEMP setting 23°C (default), with 14 settings from "OFF", "16°C" to "28°C". The TEMP will increase by 1°C up to 28°C when pressed each time. By pressing the TEMP for 3S, the digital display can show between °C and °F.
	TIMER	Once the fire has been switched on. The timer can be set to switch off the fire for the following delay periods. 0.5H, 1H, 2H, 3H, 4H, 5H, 6H, 7H, 8H, to 9H.

## MAINTENANCE



**Warning:** Before any maintenance and/or cleaning the exterior of the fireplace, disconnect the unit from the power supply and leave until cooled off.

### Remote Handset Battery Replacement

Replace with two AAA batteries. Make sure the batteries are installed correctly in the remote control.

### Maintenance of Motors

The motors used on the fan and flame effect are pre-lubricated for extended bearing life and require no further lubrication. **Periodic cleaning/vacuuming of the fan/heater inlet and outlet is recommended.**

### Reset the overheat protection device

Your heater includes a protection device that shuts off the heater if it overheats for any reason:

To reset the heater

- 1) Turn off the unit.
- 2) Unplug unit and wait for 5 minutes.
- 3) Plug back in and turn on.

Ensure that the appliance is functioning correctly. If the control operates again, check that the heater/fan inlet and outlet grilles are not blocked with hair/lint. Clean/vacuum. If the control operates again the appliance must be checked by a competent Electrician

## Cleaning the Fireplace

You can clean the exterior of the fireplace with a soft, damp, lint-free cloth. Do not use cleaning or polishing products. To remove fingerprints or other marks on the front glass panel, use a soft, damp, lint-free cloth with a good quality household glass cleaner. The front glass panel should always be completely dried with a clean, lint-free cloth or paper towel.



Caution: Do not use abrasive cleaners on the glass panel. Do not spray liquids directly onto any surface of the unit.



Warning: An authorized service representative should perform any other servicing.

## Environment



Explanation of the crossed –out wheeled dustbin:

Do not dispose of electrical appliances as unsorted municipal waste, use separate collection facilities. Contact your local government for information regarding the collection systems available. If electrical appliances are disposed of in landfills or dumps, hazardous substances can leak into the groundwater and get into the food chain, damaging your health and well-being. When replacing old appliances with new ones, the retailer is legally obligated to take back your old appliance for disposals at least free of charge.



This fire complies with the European Safety Standards (LVD) EN 60335-2-30 and the European Electro Magnetic Compatibility (EMC) EN 55014-1, EN 55014-2 and EN 61000-3-2 and EN 61000-3-3 which covers the essential requirements of the EC Council Directives and 2004/108/EC