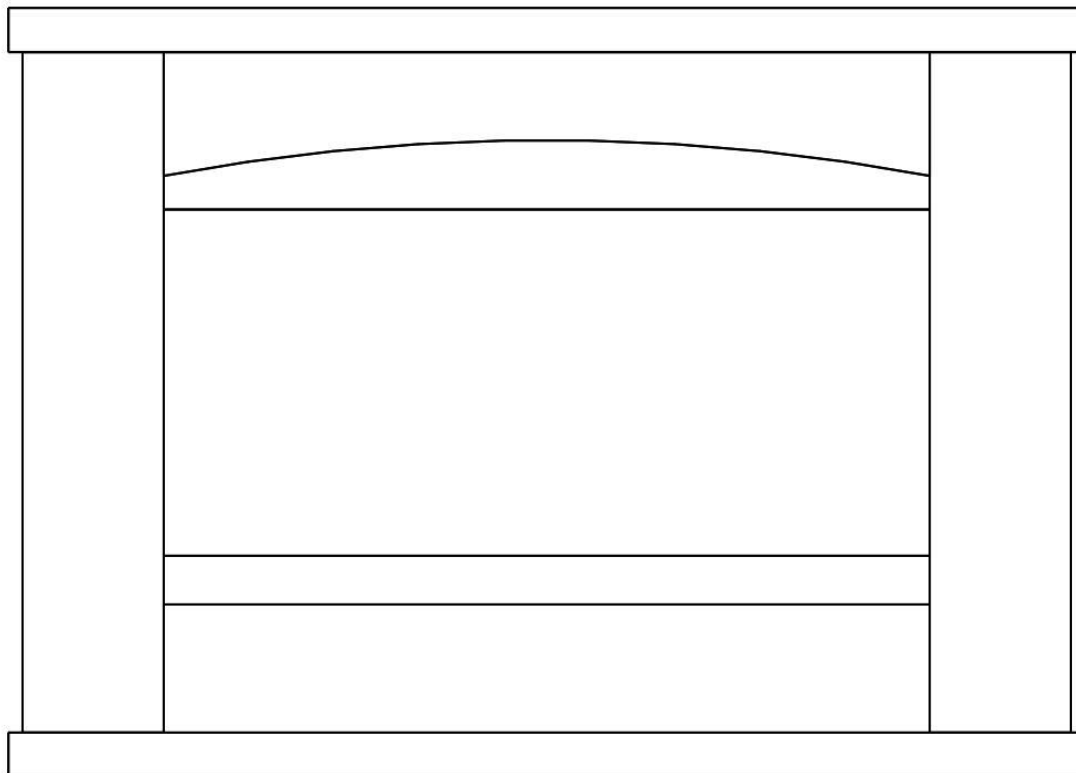


Installation and User Instructions



PHOENIX

PLEASE READ THIS MANUAL BEFORE INSTALLING AND USING THE APPLIANCE.

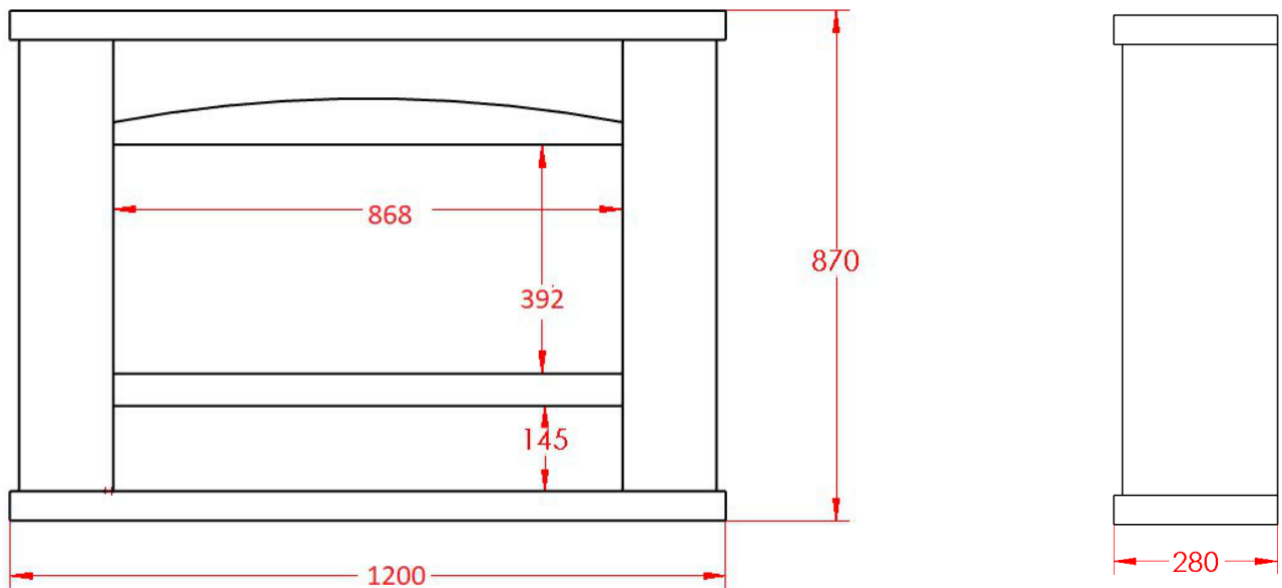
**INSTALLER: DO NOT DISCARD THIS MANUAL – LEAVE WITH THE CUSTOMER.
SAVE THESE INSTRUCTIONS FOR FUTURE REFERENCE.**

Contents

| | |
|--|---|
| Section 1 Dimensions | 3 |
| Section 2 Assembly and installation | 3 |
| Section 3 Cleaning & maintenance. | 9 |

SECTION 1 DIMENSIONS

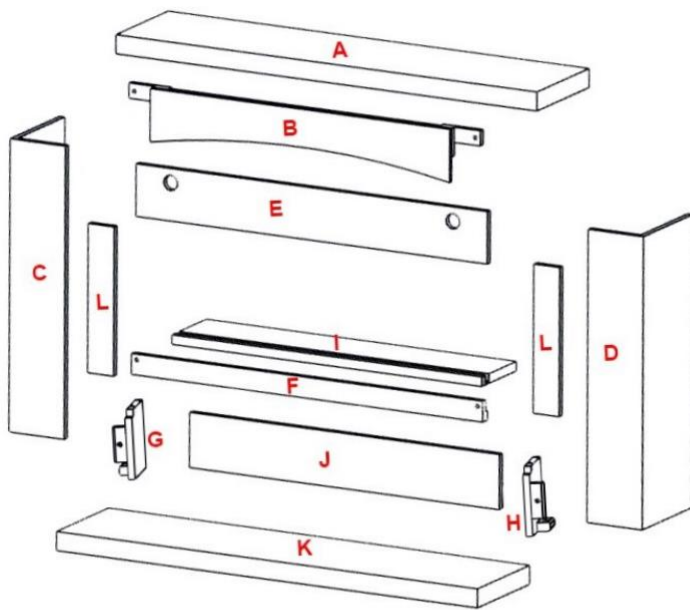
Dimensions in mm



SECTION 2 ASSEMBLY AND INSTALLATION

2.1 Unpack

- Open the package carefully and remove all pieces. Carefully inspect each part for any damage before you begin assembly.
- Make sure that you have all the parts listed below before assembling.
- Retain packaging for future transport and/or storage.



| No. | Name | Quantity |
|-----|----------------------------|----------|
| A | Top panel | 1 |
| B | Curved LED panel | 1 |
| C | Left hand leg | 1 |
| D | Right hand leg | 1 |
| E | Second top panel | 1 |
| F | Second bottom panel | 1 |
| G | Left hand shelf panel | 1 |
| H | Right hand shelf panel | 1 |
| I | Top shelf panel | 1 |
| J | Back shelf panel | 1 |
| K | Base panel | 1 |
| L | Left hand second leg panel | 2 |
| M | Wood dowel | 14 |
| N | Cam and pin | 15 |
| O | Screws M6*30mm | 12 |
| P | Washer | 12 |
| Q | Extension lead 850mm | 1 |

NOTE: left and right of product are distinguished by its front view.

2.2 Before installation

Tools required: Magnetic Phillips screwdriver

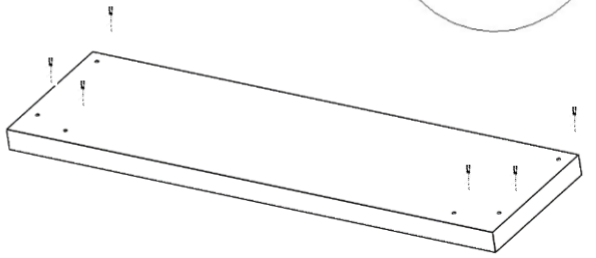


2.3 Installation

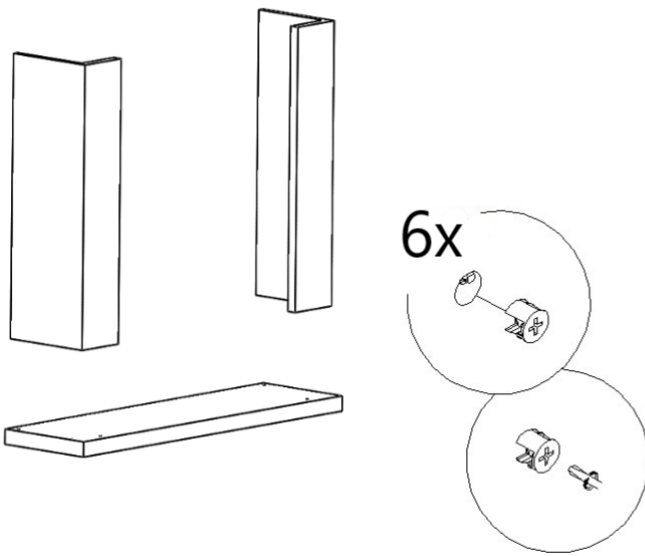
NOTE!

- Assembly required by two adults.
- This fireplace suite must be fitted to the wall. Mirror plates are supplied with the mantel, but any other suitable concealed fixing may be used. **Do not use any silicon-based sealant.**
- To avoid overtightening, **do not use** an electric screwdriver.
- Use washers when fixing with screws. Do not overtighten bolts.
- Only use the screws supplied with this mantel.
- To avoid scratching the mantel, the fire must be inserted from the rear.

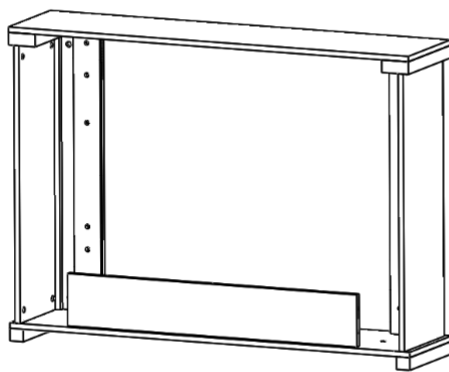
6x



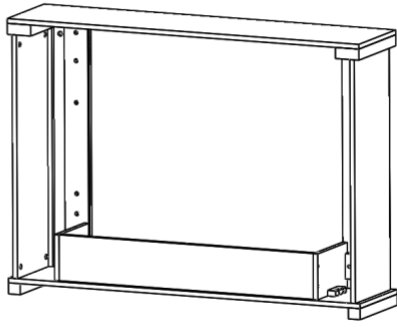
1. Using the screwdriver, insert 6x cam pins into base panel (K) as shown.



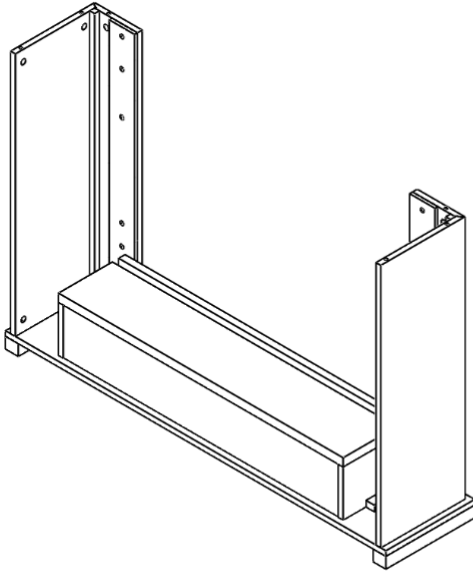
2. Slide both left hand leg (C) and right hand leg (D) onto the base panel (A), Insert the cams and tighten.



3. Fix the back shelf panel (J) with 7 wooden dowels

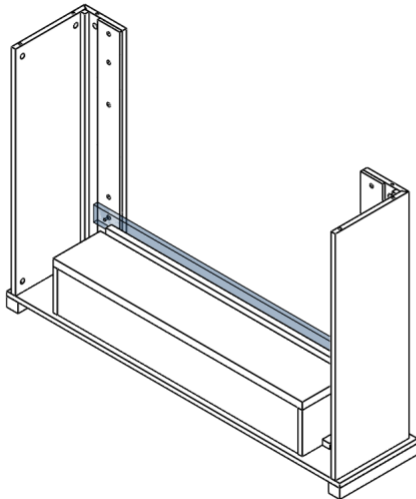


4. Fix the left and right side panel (G&H) onto the left hand leg and right hand leg (C&D). using 4x M6x30 screws and washers Note: 2 screws and washers are used for each side.



5. Fix the top shelf panel (I) with 7 wooden dowels

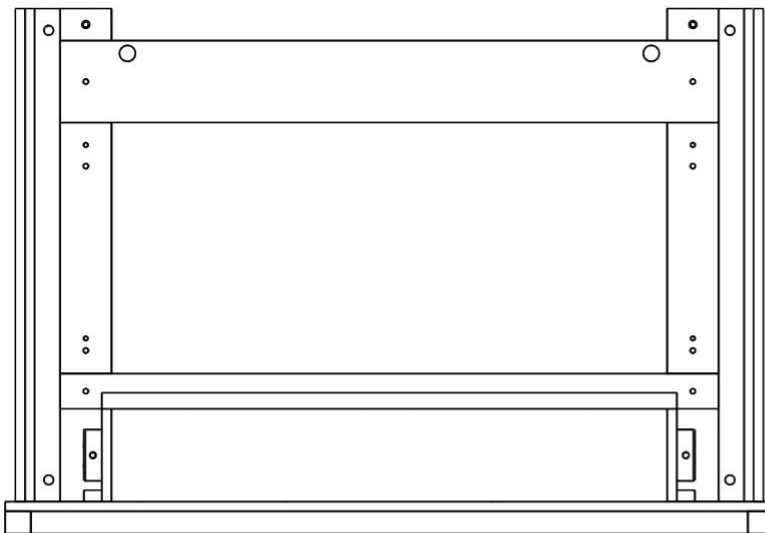
Note: please ensure shelf LED cable is kept clear when attaching panel I



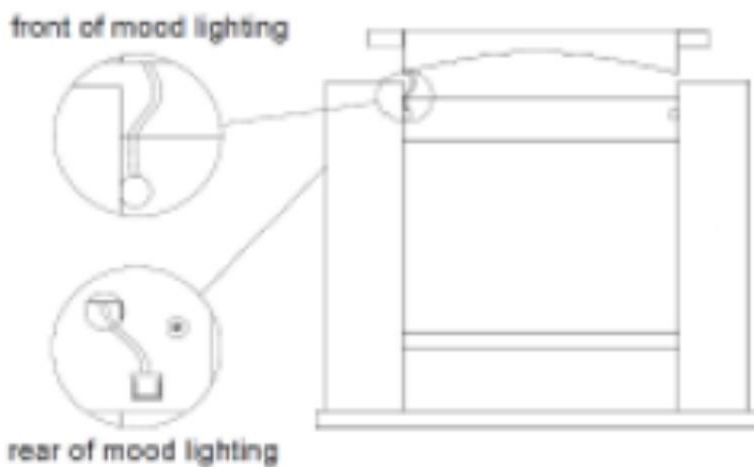
6. Attach second bottom panel (F) to both legs (C & D) with 2 M6x30 screws and washers



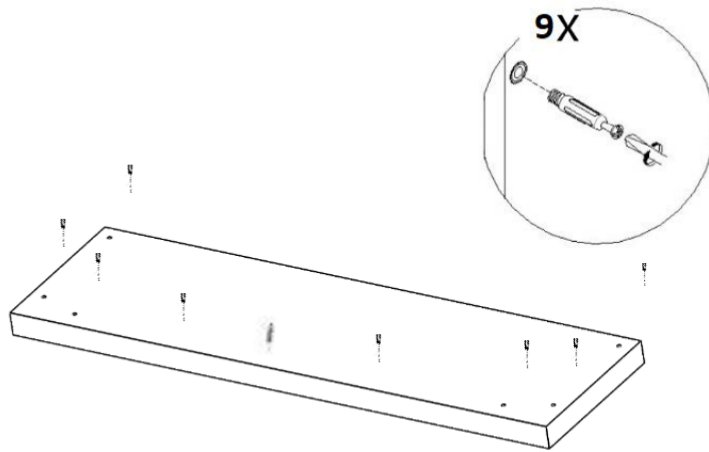
7. Attach both left hand second leg panes (L) to both legs (C & D) using 4x M6x30 screws and washers Note: 2 screws and washers are used for each side.



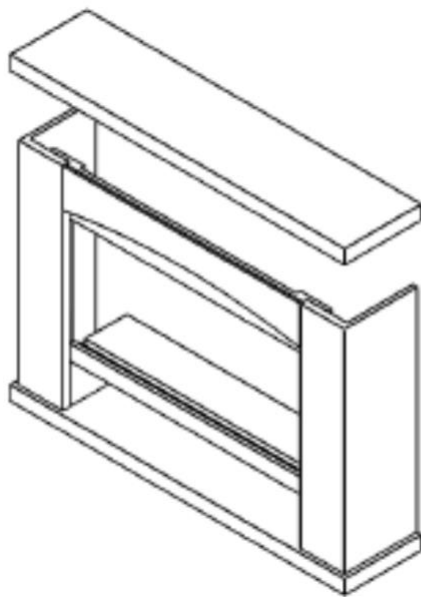
8. Attach second top panel (E) to both legs (C & D) with 2 M6x30 screws and washers



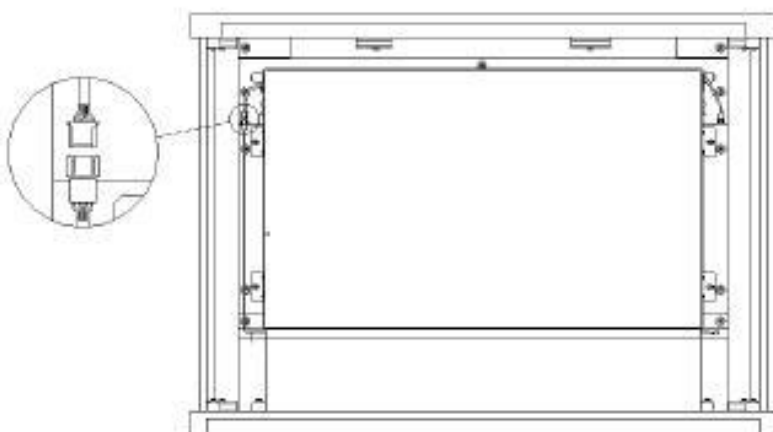
9. Feed the socket and wire of the mood lighting through the hole on the left side leg (C) before fixing the front top panel (B). Check that the LED strip is still pushed firmly down into position on the self- adhesive pads. When attaching the front top panel (B) use 2 M6x30 screws and washers and attach to right hand side leg and left hand side leg (C & D)



10. Using the screwdriver, insert 9x cam pins into top panel (A) as shown.



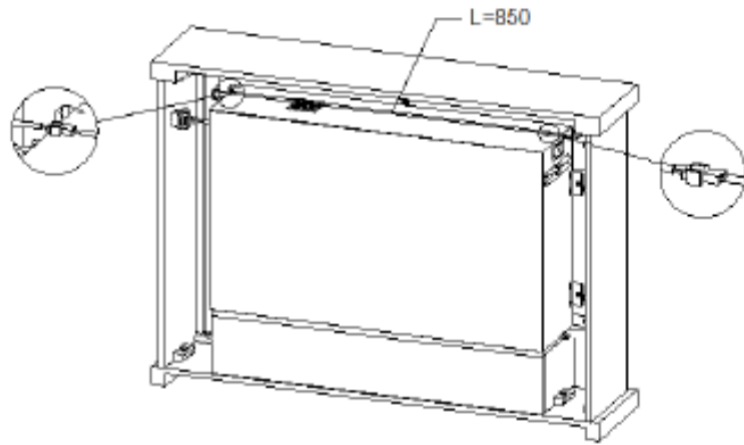
11. Attach the top panel (A) to the assembly and tighten the cams from the rear of the mantel



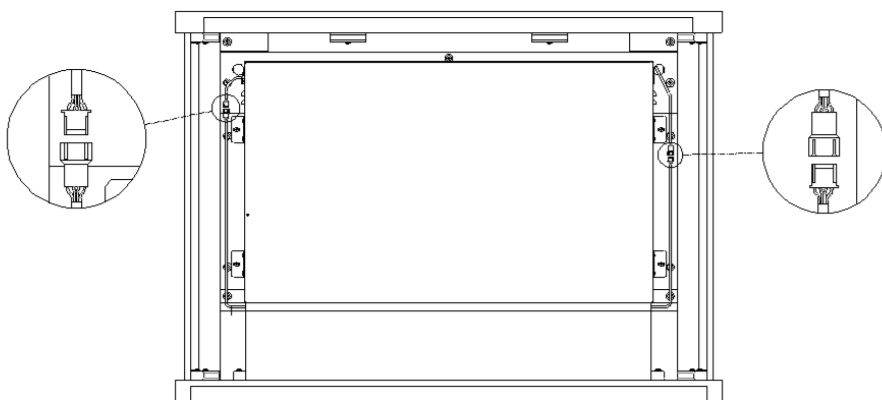
12. Install the fire from the back of the mantel, and use the screws that are supplied with the fire. to fix firmly in place.

NOTE: please see fire manual

13a. If you wish to only use the upper mood-light, connect the wires as shown in the picture. Connect the wires with the extension lead 850mm (R) to the fire as shown in the picture.



13b. If you wish to only use the lower mood-light, connect the wires as shown in the picture.



13c. If you wish to use both mood-lights at the same time, connect the wires as shown in the picture.

SECTION 3 CLEANING & MAINTENANCE

Your mantel surface coating will give off a slight odour for a brief initial period. Try to ventilate as much as possible during this time.

Daily cleaning:

- Clean the mantel surfaces with a soft, lint-free cloth.
- Do not use cleaning or polishing products

Avoid

- Long-term direct sunlight.
- Excessive temperatures and humidity to protect the life of your furniture surface
- Do not put heavy or sharp objects on this mantel

