

# Apex Lux Arcus Inset Electric Fire

**Please ensure you read both the Fire and the Fascia instructions before installation is started**

## Installation and User Instructions

Edition A 08/15

**Please read all of the instructions carefully and retain for future reference.**

## Safety Instructions

When using electrical appliances, basic safety precautions should always be followed.

Check that the voltage indicated on the rating plate corresponds with that of the local network before connecting the appliance to the mains power supply.

Children younger than 3 years old should be kept away from the appliance unless continuously supervised.

Children aged from 3 years and less than 8 years shall only switch on/off the appliance, provided that it has been placed or installed in its intended operating position and they have been given supervision or instruction concerning the use of the appliance in a safe way and understand the hazards involved.

Children aged from 3 years and less than 8 years shall not plug in, regulate or clean the appliance or perform user maintenance.

Children should be supervised to ensure that they do not play with the appliance.

This appliance is not a toy.

This appliance contains no user serviceable parts. If the power supply cord, plug or any part of the appliance is malfunctioning or if it has been dropped or damaged, only a qualified electrician should carry out repairs. Improper repairs may place the user at risk of harm.

Keep the appliance and its power supply cord out of reach of children. Keep the appliance and its power supply cord away from heat or sharp edges that could cause damage.

Keep the power supply cord away from any parts of the appliance that may become hot during use.

Keep the appliance away from other heat emitting appliances.

Keep furniture, curtains and other flammable material at least 1 metre away from the appliance.

Do not run the supply cord under carpets, rugs etc. or anywhere where it may present a trip hazard.

Do not immerse the appliance or plug in water or any other liquid. Do not operate the appliance with wet hands.

Do not use this appliance in the immediate surroundings of a bath, a shower or swimming pool.

Do not leave the appliance unattended whilst connected to the mains power supply or when in use.

Do not remove from the mains power supply by pulling the cord; switch off and remove the plug by hand.

Do not use this appliance for extended periods of time.

Do not use the appliance for anything other than its intended use. Do not cover this appliance.

Do not use this appliance outdoors.

Do not attempt to move the appliance whilst it is in use.

Do not touch the appliance during use, as it will get very hot and could cause injury.

Do not use the appliance with a programmer, timer, separate remote-control system or any other device that will switch the appliance on automatically, as there is a risk of fire if the heater is covered or positioned incorrectly.

Do not clean the appliance with abrasive chemicals or materials such as scourers as they may damage the appliance and impair future function. The appliance should be used on a stable, heat resistant surface.

The appliance must not be located immediately below or next to a mains power supply.

Always unplug the appliance after use and before any cleaning or maintenance.

Always ensure that the appliance has cooled fully after use, before any cleaning or maintenance.

Never use accessories that are not recommended or supplied by the manufacturer. It could cause danger to the user and damage to the appliance.

Use of an extension cord with the appliance is not recommended.

This appliance is intended for domestic use only. It should not be used for commercial purposes.

**Warning:** In order to avoid overheating, do not cover the appliance.

**Warning:** This appliance is not equipped with a device to control the room's temperature. Do not use this appliance in small rooms whilst occupied by persons incapable of leaving the room on their own, unless constant supervision is provided.

**Warning:** Normal voltage is still present in this appliance as long as the appliance is connected to the electrical source. Always unplug the appliance when not in use.

**Warning:** In order to avoid a hazard, due to inadvertently tripping the Thermal cut-out, this appliance must not be supplied through an external switching device, such as a timer. Nor should it be connected to a circuit this is regularly switched on and off by the utility.

**Caution:** Some parts of this appliance can become very hot and cause burns, particular attention has to be given where children and vulnerable people are present.

**Caution:** Hot surface. Do not touch the hot section or heating components of the appliance.

S 6891 BS 8303

Failure to comply with these regulations could lead to prosecution and deem the warranty Invalid.

This appliance must be installed in accordance with the rules in force and used only in a sufficiently ventilated space.

Consult all instructions before installation and use of this appliance.

The appliance must be registered once commissioned with the regulatory governing body.

This appliance is free from any asbestos material. Refractories and coal bed are constructed from ceramic fibre.

***Note - For Republic of Ireland, reference should be made to the relevant standards governing installation, particularly in regard to flue sizing and ventilation. See IS813, ICP3, IS327 and any other rules in force.***

## Unpacking the Appliance

Remove the appliance from the box and remove protective packaging from the appliance.

Place the packaging inside the box and store or dispose of safely.

Contents:

Inset / Freestanding Electric Fire

Fuel bed (coal, logs or twigs)

Spacer pack

Fixing pack

Instruction Manual

Trim and fret or separate fascia pack.

Cavity wall box (sold separately)

**Please Read both fire and fascia pack instructions prior to installing the appliance.**

Features:

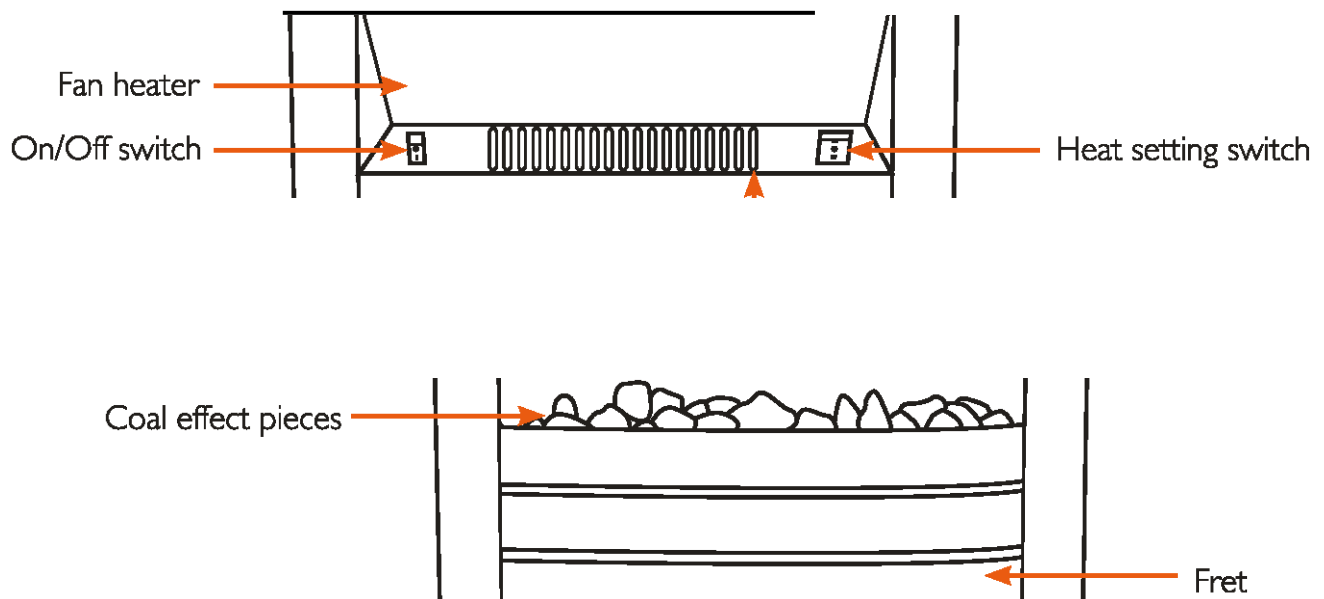
2000 w

2 heat settings 1000 w / 2000 w

Thermal cut-out device

Overheat protection

100% LED flame effect



# Instructions for Use Advise.

## Before fitting

Please retain all of the packaging until you have checked and counted all of the parts and the contents of the fixing pack against parts listed (in the Box).

The fixing pack contains small items, which should be kept away from young children.

It is suggested that all of the fixing pack content are placed into a container, to reduce the risk of losing any small pieces.

## INSTALLATION INSTRUCTIONS

Do not connect the Electric fire main unit to the mains power supply until all of the instructions for both the fire and the fascia have been read, fully understood and the Electric fire has been properly and securely fitted.

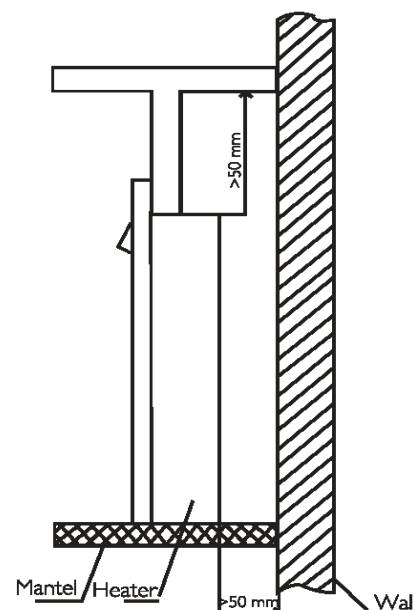
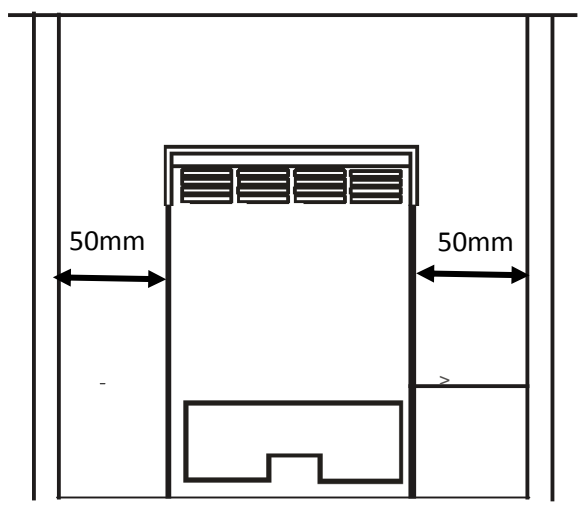
The minimum safe distance must be observed.

Do not lift the electric fire by any removable part.

Note: the Inset Electric fire is suitable for installation into a location that has an opening size within the guidelines shown below.

Dimension	Minimum	Maximum
Width	390 mm	483 mm
Height	555 mm	590 mm
Depth	110 mm	125 mm

The minimum clearance required to allow for sufficient ventilation is shown below:



## Freestanding:

The Inset Electric Fire can be placed in any location as a free-standing unit, as long as the Inset Electric Fire is kept approximately 1 MT clear from any combustible objects.

### **Securing the Inset Electric Fire to a Fire Chamber Based on Minimum Dimensions**

**STEP 1:** Ensure that the Inset Electric Fire is switched off and unplugged from the mains power supply.

**STEP 2:** Remove the four screws from the back of the removable fascia and then pull it up and away from the Inset Electric Fire main unit

**STEP 3:** Using a pencil, mark the centre of the opening in which the Inset Electric Fire will fit. From this point, measure 215.5 mm to the left and then again to the right, marking the points. Measure 560 mm from the floor up and mark this final point.

**STEP 4:** Drill where the holes have been marked and insert the two screws, leaving a 2 mm gap.

**STEP 5:** Carefully lift the Inset Electric Fire, hook it onto the screws and lower it into position.

## FITTING THE DECORATIVE FRAME

The appliance is supplied with a decorative frame, the frame attaches to the firebox as a three piece or one piece clip-on unit.

Place the magnets supplied to the outer frame of the fire box.

A plastic protective coating may be applied to the face of the frame assembly, which should be removed at this stage; the one piece unit can be placed in position.

With the three piece unit you should start with the side pieces of the clip-on assembly, these should be pushed into position first, followed by the top bar, which should overlap the sides.

**IMPORTANT NOTE: Due to the possibility of sharp edges, care should be taken when handling the three piece frame components, the use of protective gloves is recommended.**

Place the fire front/ fret into position in front of the fire and slide the ashpan door into place. The fire front/fret shown in these instructions may differ from the one supplied with the appliance, we strongly recommend you use a fire front/fret supplied by Apex fires as these products will have been tested with the appliance, although other fire front/frets will be compatible.