



Code	ECB7FPLUS
Output	6.1kW
Log length	350mm
Nett efficiency	72.1%
Width	465mm
Height	585mm
Depth	365mm

Features

- Lifetime guarantee
- Preheated airwash system for clean glass
- Stainless steel ash pan and throat plate
- Burns wood or solid fuel
- Externally controlled riddling grate
- Large fire viewing window
- Patented Flexifuel System
- Primary and secondary burn to improve efficiency
- Top or rear flue outlet
- Height adjusting legs as standard

Optional Extras

- Add-in Boiler - [AIB8]
- Arada Ash Carrier - Medium - [ARA017]
- Arada Universal Stand - [STAND001]
- Floor Fixing Kit - [AFS1135]

Ecoburn Plus 7 - Technical Information

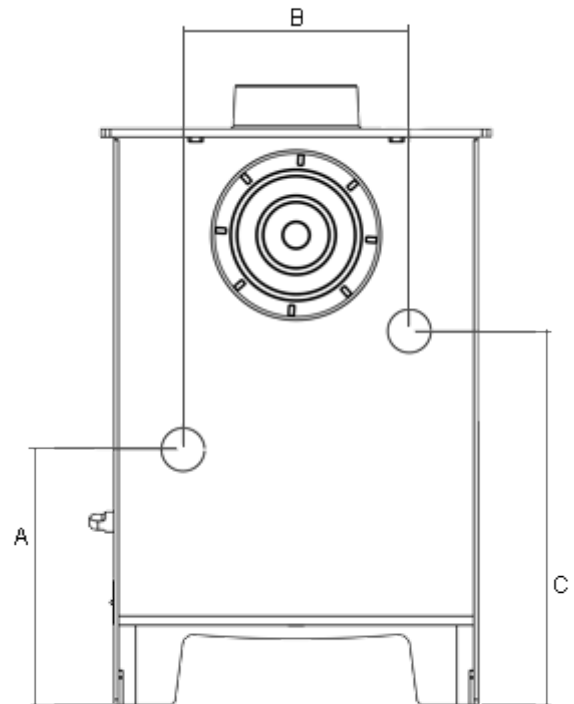
Code	ECB7FPLUS
Output range	1.5-9kW
Nett efficiency	72.1 %
Width	465mm
Height	585mm
Depth	365mm
Height to centre of rear flue	477mm
Added height when on stand	136mm
Added height when on log store	336mm
Depth of back to centre of top flue	102mm
Flue diameter	127mm
Suitable for 12mm hearth	Yes
Under hearth temperature	45.0°C
Suitable for direct air supply kit	No
Packed weight	68kg
Maximum log length	350mm

Minimum Distance To Combustibles

To rear of stove	650 mm
To sides of stove	450 mm
Above stove	381 mm

Boiler Tapping Measurements

Distance A	260 mm
Distance B	265 mm
Distance C	352 mm



Add In Boiler Tapping Measurements.
Rear view example shown. Not to scale.