



Code	ECB11FPLUS
Output	11kW
Log length	500mm
Nett efficiency	74.7%
Width	625mm
Height	638mm
Depth	381mm

Features

- Lifetime guarantee
- Preheated airwash system for clean glass
- Stainless steel ash pan and throat plate
- Burns wood or solid fuel
- Externally controlled riddling grate
- Large fire viewing window
- Patented Flexifuel System
- Primary and secondary burn to improve efficiency
- Top or rear flue outlet
- Height adjusting legs as standard

Optional Extras

- Add-in Boiler - [AIB5]
- Arada Ash Carrier - Medium - [ARA017]
- Arada Universal Stand - [STAND002]
- Floor Fixing Kit - [AFS1135]

Ecoburn Plus 11 - Technical Information

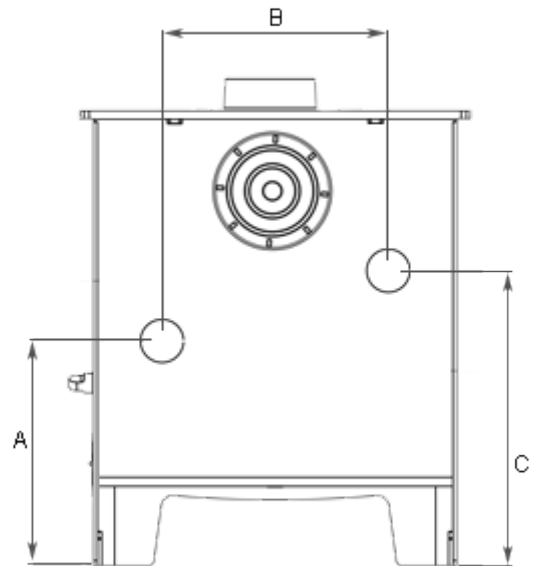
Code	ECB11FPLUS
Output range	2.5-14kW
Nett efficiency	74.7 %
Width	625mm
Height	638mm
Depth	381mm
Height to centre of rear flue	529mm
Added height when on stand	136mm
Added height when on log store	336mm
Depth of back to centre of top flue	121mm
Flue diameter	127mm
Suitable for 12mm hearth	Yes
Under hearth temperature	67.5°C
Suitable for direct air supply kit	No
Packed weight	94kg
Maximum log length	500mm

Minimum Distance To Combustibles

To rear of stove	800 mm
To sides of stove	500 mm
Above stove	381 mm

Boiler Tapping Measurements

Distance A	236 mm
Distance B	360 mm
Distance C	391 mm



Add In Boiler Tapping Measurements.
Rear view example shown. Not to scale.