

E V O L V



G A S F I R E S

**Inset Live Fuel Effect
MODEL 520 Slimline Inset**

For use on Natural Gas at a supply pressure of 20mbars in G.B./I.E



**INSTALLATION AND SERVICING
INSTRUCTIONS**

(For user's instructions, please see page 13 & 14)

These instructions must be handed to the user
to be kept in a safe place for future reference

Part No. 200379 Issue 5
GC No. 32-210-14

Patent application No. 0123387.3

bemodern

FIREPLACES & STOVES | BATHROOM FURNITURE

Be Modern Ltd Customer Care, Bede Industrial Estate
Jarrow, Tyne and Wear, NE32 3BE
Tel: (0191) 430 0901.

Installation and Servicing Instructions

Contents

Important Notes	3	Fret Fixing Instructions	9
Appliance Data	3	Operating the Appliance	10
General Installation Requirements	3	Spark Failure	10
Site Requirements	4	Briefing the Customer	10
Ventilation	5	Commissioning the Fire	11
Fire Box Installation	6	Service and Maintenance	11
Fitting the Ceramic Fibre	7	Short Spares List	12
Trim Installation	8	User Instructions	13 & 14

Pack Contents

Your new fire should contain

- Fire box with burner tray
- Ceramic fibre pack x 2
- Self adhesive foam seal
- Cable fixing kit
- Spigot restrictor with screws
- Sealing grommet
- User and installation instructions

Depending on the model of fire purchased the pack may also contain

- Fire Trim
- Fire front and ashpan cover.

Unpacking of Appliance

Cut securing tapes.

Remove lid.

Remove polystyrene packing.

Remove individual boxes.

Remove cardboard sleeve.

Remove main fire case.

Place waste packaging back into box and dispose of correctly.

General Recommended Handling Guidance

Keep back straight (bend using legs)

Avoid twisting at the waist (reposition feet instead)

Avoid upper body/top heavy bending (do not lean forward/sideways)

Always grip with palm of the hand (not with tips or fingers)

Lift and carry the fire case with your hand through the rear spigot opening

Keep load as close to body as possible

Always use assistance if required

Cast iron arch is difficult to hold when dropping over fire case brackets. Ensure a firm grip is used.

Weights

Main Fire Case 7.5kg

Trim Fire Front and Ashpan Cover 4kg

Safety & Environment Recommendations

If carrying distance exceeds 10m or stairs/steps are involved then 2 person lifting should be considered. Alternatively use sack barrow for long distance.

If product is to be moved upstairs by installer it is recommended that the product is unpacked first and single parts carried upstairs to reduce risk. Otherwise 2 persons should be used to carry carton upstairs. Product is often unpacked for customer's inspection at time of delivery.

Gloves should be worn when handling main fire case to protect from sharp edges and corners on rear of fire.

Recommend the use of protective gloves whilst using knife to cut straps around carton and due to sharp edges and corners on rear of fire case.

Recommend the use of protective gloves whilst using knife to cut plastic wrapping around arch.

The model number of this appliance is as stated on the rating plate.

In the event of any problems, please telephone (0191) 430 0901. This product has been manufactured by Be Modern Appliances, Pilgrim Way, Bede Industrial Estate, Jarrow, NE32 3HG.

Important notice to installer

The cream fibre board, which may be supplied with this appliance, may discolour on its initial startup.

Please do not be alarmed as this is due to the starch content used in the curing process of the fibre burning out.

The fibre will show signs of discolouration for approximately 1 hour. After this time the starch content will have burnt out to leave the board close to its original cream colour.

For cleaning the appliance, please refer to the section in the users instructions headed "Cleaning the Appliance".

Please note that this process is in no way detrimental to the safe operation of the fire.

Important Safety Notes

FAILURE TO COMPLY WITH ANY OF THESE REGULATIONS COULD LEAD TO PROSECUTION AND DEEM THE WARRANTY INVALID.

This appliance has been designed to work on natural gas. It is law that all appliances using natural gas shall be installed by a competent person who shall fit in accordance with the current Gas Safety Regulations, the relevant British Standard Installation specifications, Codes of Practice and in accordance with the manufacturer's instructions and the various recommendations contained in the following regulations: -

All relevant sections of local regulations

All codes of practice relevant to the installation

The building regulations issued by the Department of the Environment and the building standards (Scotland) regulations issued by the Scottish Department

BS 715

BS 5871 part 2

BS 5440 part 1

BS 8303

BS 4543

BS 1289

BS 1251

BS 6891

BS 6461 part 1 & 2

For Republic of Ireland reference should be made to the relevant sections of national and local rules in force and current editions of IS 813, ICP 3 and IS 327.

This product is free from asbestos.

This product uses components containing Refractory Ceramic Fibre (RCF), which are man-made vitreous silicate fibres. Excessive exposure to these materials may cause temporary irritation to eyes, skin and respiratory tract, consequently, it makes sense to take care when handling these articles to ensure that the release of dust is kept to a minimum. To ensure that the release of fibres from these RCF articles is kept to a minimum, during installation and servicing we recommend that you use a HEPA filtered vacuum to remove any dust and soot accumulated in and around the fire before and after working on the fire. When replacing these articles we recommend that the replaced items are not broken up, but are sealed within a heavy polythene bag, and clearly marked as RCF waste. RCF waste is classed as a stable, non-reactive hazardous waste and may be disposed at a landfill licensed to accept such waste. Protective clothing is not required when handling these articles, but we do recommend you follow the normal hygiene rules of not smoking, eating or drinking in the work area and always wash your hands before eating or drinking.

Appliance Data

The appliance data plate is on the control panel behind the ash pan cover.

- | | | | |
|---------------------------------|-----------------|-----------------------|---------------------------------|
| • Full On Rated Input (Gross) | 6.3 kW | • Full On Heat Output | 3.53 kW (Efficiency – Class II) |
| • Low Rated Input (Gross) | 2.3 kW | • Low Heat Output | 1 kW |
| • Pipe Connection Size | 8mm compression | • Inlet Pressure | 20 mbar |
| • Injector | 1 off No 77 | • Spark Gap | 4mm+/-0.5mm |

Overall Dimension

Width

470mm

Height

585mm

Depth

120mm

General Installation Requirements

Prior to installation, ensure that the local distribution conditions and the adjustment pressure of the appliance are compatible. (Natural gas G20 at 20mbar pressure, Category I_{2H}). The fire must not be installed in a room containing a bath or in any room where steam may be present. The fire is designed for installation into a builder's opening conforming to BS 1251 and twin walled metal flue boxes conforming to BS 715. The flue box must be installed on to a suitable non-combustible insulating surface at least 50mm thick. This gas fire is suitable to use with precast flues with a minimum free internal cross sectional area of 12500mm². In perfect circumstances a precast flue will be built with an air gap between the flue bricks and the plaster, but, some earlier precast flues built with plaster directly on the face of the blocks may show evidence of plaster cracking when fitted with a gas fire. This is not normally a problem caused by the appliance however; the customer should be advised insulation or an air gap should be included between the blocks and the plaster to prevent any further damage. The flue must have an effective vertical height of not less than 3 meters, measured from the base of the hearth to the top of the flue. The flue spigot on the reverse of the fire must not be obstructed by anything and should have at least 50mm clearance above and behind them. **Diagram 1B**

Any dampers, plates or restrictors should be removed or fixed in the fully open position before installation. Check that the flue pipe in the roof space is connected and the correct diameter.

A natural draught system is required and unless new, the flue or chimney should be swept before installation. Also the flue must be checked to ensure a proper draw can be obtained and that there is no leakage from any of the joints. This is best done with a smoke pellet.

The flue must only be connected to one fireplace and must not vent more than one gas appliance (i.e. back boiler).

In the case of flue problems it is recommended that a suitable approved terminal be fitted to the termination of the flue. The terminal should prevent a down draught in any condition and prevent rain and debris from falling down the flue. In all cases it is recommended that you seek professional advice.

This appliance is suitable to be installed in to back panels approved to a minimum temp' rating of 150°C. A non-combustible insulation of not less than 50mm must be fitted to the top surface of the metal flue box.

PLEASE NOTE: Local wind conditions can affect the performance of the flue.

Site Requirements

Please read these instructions carefully before installation

Any exposed brickwork should be inspected and repaired where necessary. The opening should be from 390 mm to 430mm wide and from 540mm to 568mm high and a minimum depth for precast and 5" flues of 125mm and for Class 1 a minimum depth of 200mm. **Diagram 1A**

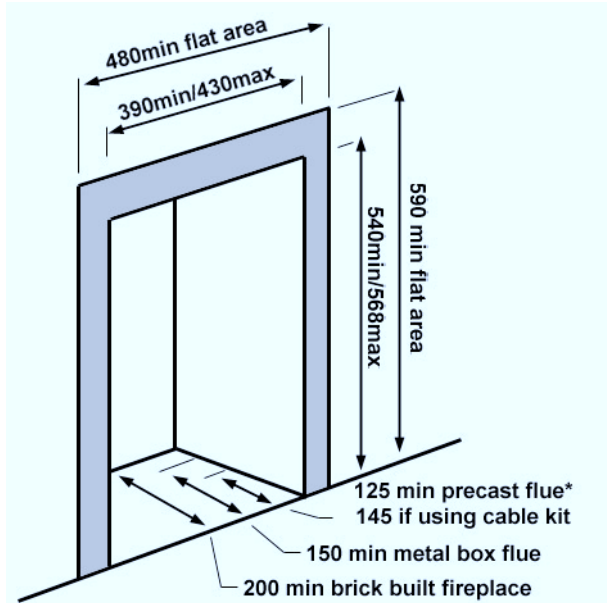


Diagram 1A

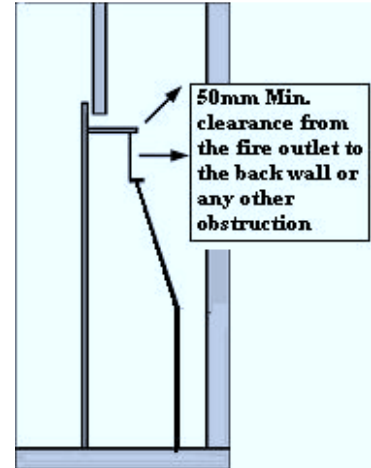


Diagram 1B

This appliance requires a natural draught flue system, which may be one of the following: -

225 x 225 Brick or Stone

175mm (7") minimum diameter flues (Class 1)

125mm (5") minimum diameter flues (Class 2)

Precast flues to BS 1289 including flue blocks with a minimum flue area of 12500mm²

The flue should be swept before installation of the fire and be tested with a smoke pellet to ensure there are no blockages or restrictions.

There should be no other openings in fireplace or flue other than the catchment around the face of the opening and the flue terminal to allow dispersion of flue gases.

The fire must only be installed on non-combustible walls, with a flat area minimum 30mm required around the face of the opening on to which the frame of the appliance can be sealed.

When the fire is fitted into a fire surround with a deep rebate, normally, the back panel will be fitted with a spacer / marble slips to fill the gap between the wall and the fire. This should also be sealed with a suitable material such as fire cement. If there are no slips fitted a spacer must be made and sealed to ensure that the flue does not leak.

To enable the products of combustion to be cleared properly up the flue, the fire outlet must have a minimum clearance of 50mm between it and the back wall opening or any other obstruction. **Diagram 1B**

The area immediately above the spigot must form a smooth path for the products of combustion to reach the flue.

***Note:** If a pre cast flue or metal box has been previously used for solid fuel or oil appliances, these dimensions must be increased to 200mm

This fire requires a hearth constructed of non-combustible materials and must conform to the minimum dimensions.

Diagram 1C

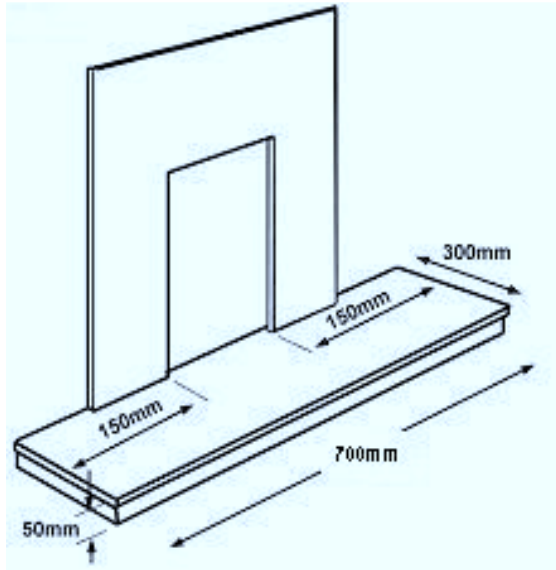


Diagram 1C

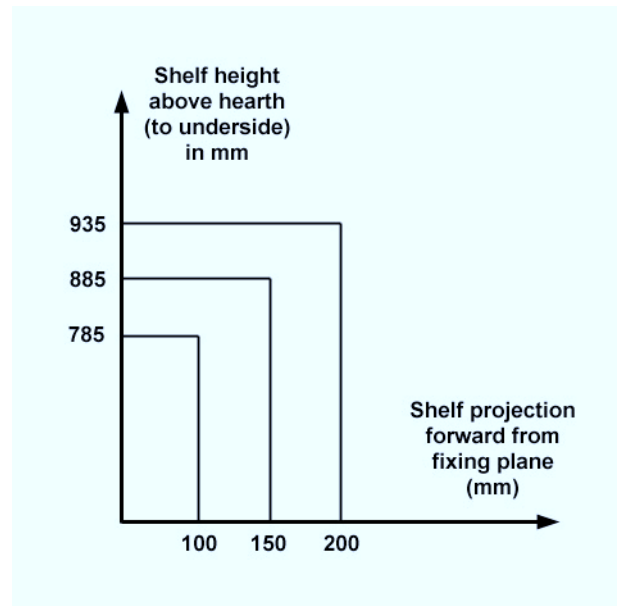


Diagram 1D

The hearth must be at least 12mm thick and the top surface should not be less than 50mm above the surrounding floor level, or have a fixed fender 50mm high, surrounding the hearth.

The surface on which the appliance is to stand must be flat and level with the surface of any decorative hearth fitted in front of the opening. This fire may be used with a non-combustible fireplace such as marble.

Wooden/combustible shelf may be fitted above the fire as long as it is more than 200 mm above the fire (785mm above the hearth) and the shelf does not project more than 100mm in front of the fixing plane. If the shelf overhangs more than 100mm the distance to the fire must increase as shown in **Diagram 1D**.

Wooden/combustible materials may be fitted to within 100mm on either side of the fire (minimum 660 between uprights), providing it does not project forward more than 100mm. If the projection is greater than 100 mm the side clearance must be increased, by 25mm per 25mm increase in the projection.

Non-combustible materials may be fitted to within 10mm on either side of the fire.

Any combustible sidewall must be a minimum of 500mm from the opening.

Combustible items such as flooring, furniture and soft wall covering such as blown vinyl and embossed papers may scorch or discolour if placed close to the fire.

Ventilation

Additional purpose-built ventilation is not normally required for this appliance in GB. For IE (Republic of Ireland) ventilation with a minimum cross sectional area of 100cm² is required and should be checked on a regular basis to ensure that it remains clear.

The chimney should be checked annually for spillage (smoke test) when the appliance is serviced and it should also be checked for excessive build-up of soot.

Fire Box Installation

ENSURE that the gas supply is isolated before you commence the installation of this appliance.

Read all previous sections of these instructions prior to starting the installation of this appliance. Having previously prepared the installation site as detailed, remove the fire components from the carton. You must protect floor covering with a dust sheet or similar.

Flue Spigot Restrictor

There is a flue spigot restrictor plate and TWO fixing screws supplied with these instructions. **Diagram 2.** This plate must be fitted to installations where the flue diameter is 7" or greater. If the fire fails the spillage test on a 7" or greater flue, the restrictor plate may be removed. Do not fit the restrictor to 5" or precast flues.

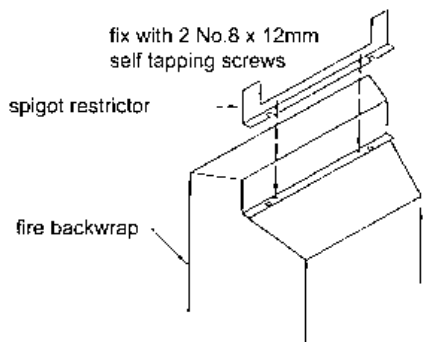


Diagram 2

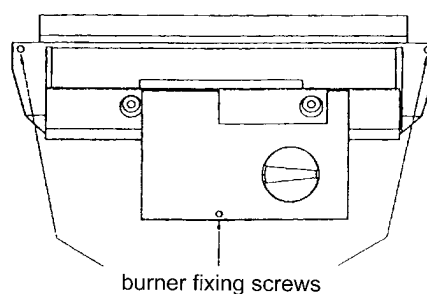


Diagram 3

Remove the 3 burner fixing screws and carefully remove the burner. **Diagram 3**

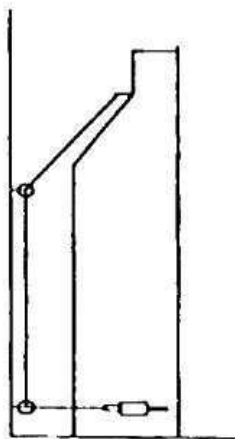
Before running the gas supply into the fire opening, offer up the firebox to ensure that it fits correctly into the opening.

Note: This appliance must be connected with rigid or semi rigid tubing.

If you have a concealed pipe, it should be run now. The fireplace-opening end of the conduit through which the gas pipe has been run should be sealed around the pipe to prevent the fire drawing air through the conduit. Cover the end of the 8mm-supply pipe to prevent any debris getting in during installation of the firebox.

A 38mm hole is provided in the back panel of the firebox to enable entry of pipework. Drill a suitable hole in the rubber grommet supplied, and fit over the tube.

Fit the foam seal to the outer edge on the rear face of the front frame, making sure that there are no gaps between joints.



Cables and eyelets are provided to allow the appliance to be wired back into the fireplace opening. There are also four fixing holes in the fire front frame if required. Check that the rear face of the opening is structurally sound and fit the eyelets and wallplugs in the position shown in **Diagram 4.** Only use the wall plugs supplied.

Thread the cables through the two larger top holes in the bottom edge of outlet, feed through the two eyelets and then through the two holes in the back panel.

Push the firebox back into position and fit the adjusters and clamps and fix the fire into position by tightening the screw clamps.

Inspect the seal for possible leaks and re-seal if necessary.

Coil up any surplus cable. **DO NOT CUT OFF.**

Fit the grommet into the hole in the back panel to seal the gas entry tube.

Refit the burner using the 3 tap tight screws previously removed.

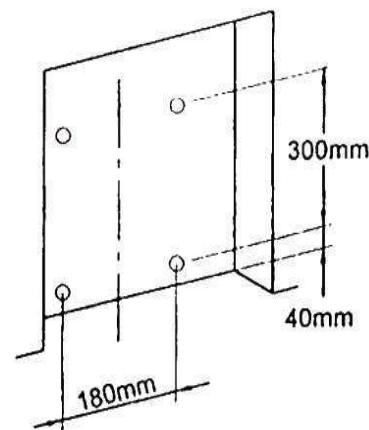


Diagram 4

Gas connection

Connect the gas supply, using the tube nut and olive supplied.

Purge the gas line and pressure check the installation for gas soundness.

Fire Tray Installation

If a concealed gas supply has been incorporated into the installation, ensure the 8mm-supply pipe is in the correct position to locate the gas inlet pipe.

A gas cock (supplied) must be fitted to the supply inlet pipe on the gas fire, preferably at the front of the burner tray, for easy access. Please ensure you use as short a run of 8mm pipe as possible. Not more than a 1m length is recommended, as excessive 8mm pipe could result in a pressure drop. No soldered joints should be made within the appliance.

Connect the 8mm pipe from the adjacent gas supply point isolating cock to the appliance at the pressure test elbow. The gas inlet pipe is located at the centre beneath the burner and may be connected through the back panel of the fire. The appliance may be fitted with 8mm rigid or semi-rigid. Ensure all pipes are clear of swarf.

Ensure the gas entry is sealed with the grommet supplied.

Secure the burner assembly with the three screws previously removed.

Fitting the Ceramic Fibre

Depending on which model you have purchased your fire will be supplied with either coal or pebble fibres.

Fitting the rear fibre bed

Place the rear fibre bed into position, ensuring that slot on its underside has correctly located into the up stand just behind the burner. All of the burner ports should be visible. **(A)**

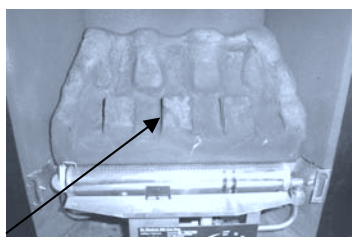
Fitting the front fibre

Place the one-piece front fibre into position on the front fibre support bracket on the burner assembly. The two outer rear edges must touch the rear fibre bed at its extreme edges and should fit inside the up stand on the front fibre support bracket. **(B)**

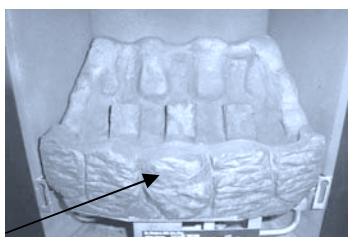
Positioning the coals

Place four of the larger coals / pebbles in the four depressions made between the rear bed and one piece front fibre, **(C)**, and then place the three remaining large coals / pebbles behind the front row of four, **(D)**. Place the four small coals / pebbles around the top of the bed as shown. **(E)**

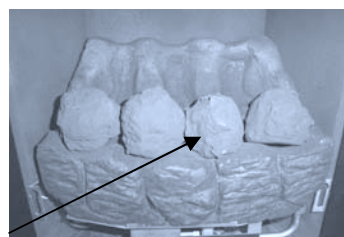
Coals



A



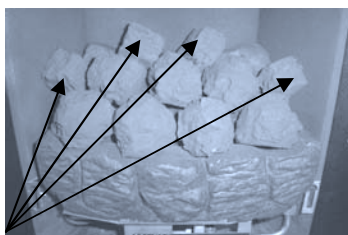
B



C

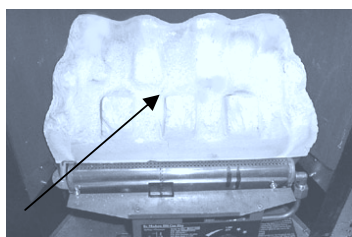


D

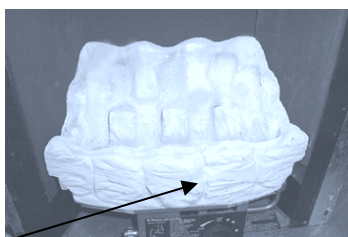


E

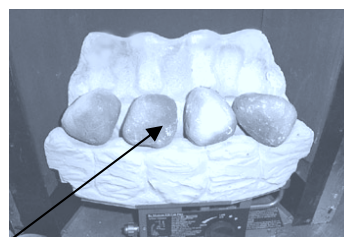
Pebbles



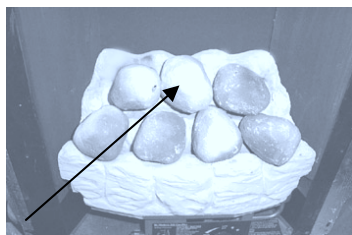
A



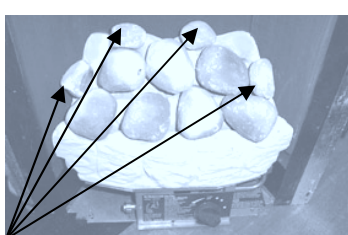
B



C



D



E

Trim Installation

Depending on the model of fire you have purchased, your fire may have been supplied with either a one-piece magnetic trim or a three-piece clip on trim.

If there are separate instructions supplied with the trim please refer to those.

One-Piece Magnetic Trim

The one-piece trim is delivered with the trim attached, by magnets.

To correctly remove the protective film from the trim, take the trim off the fire.

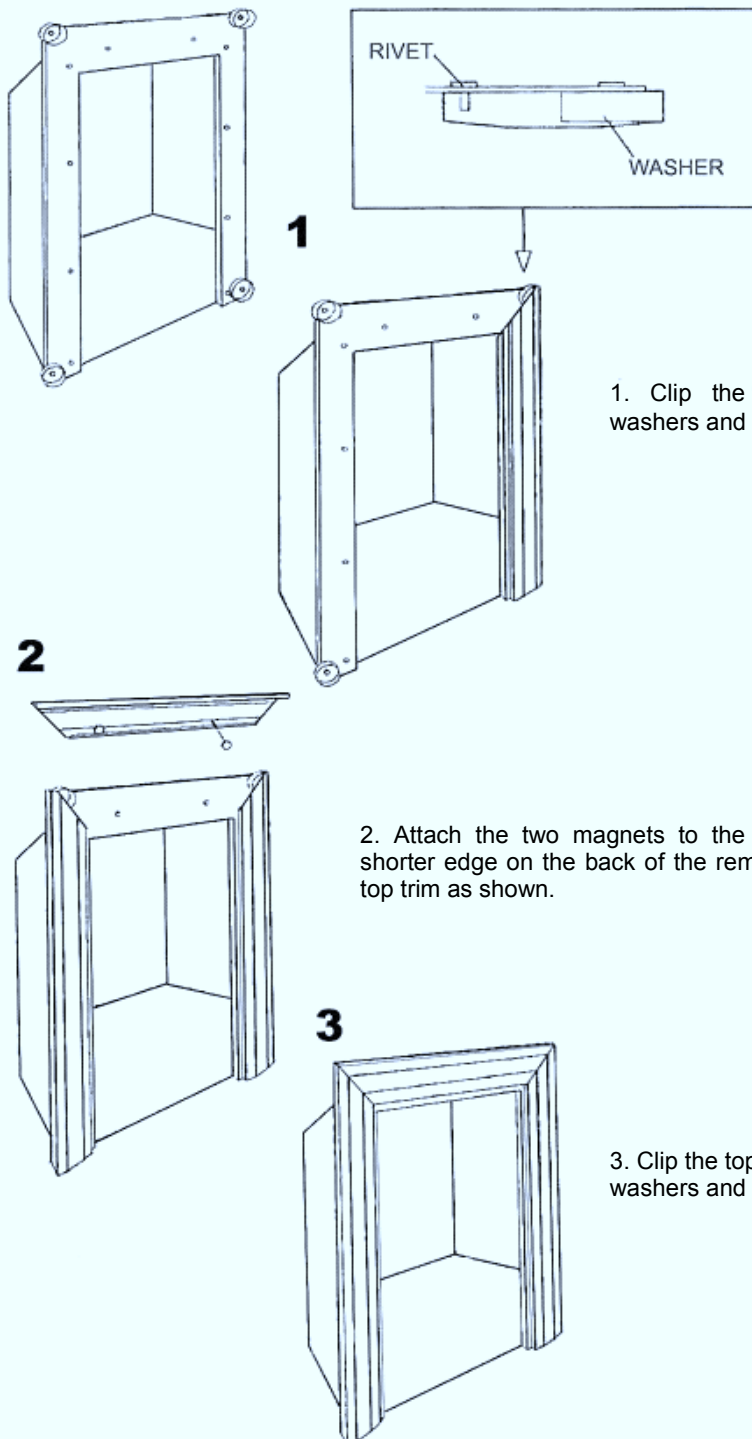
Remove the protective film.

Refit the trim to the fire with the magnets attached.

Three-Piece Clip on Trim

Remove the protective film on the trim.

The left and right hand trims should be fitted into position first and the top trim fitted down over the top edges of the side trims.



1. Clip the side trims over the corner washers and the frame rivets as detailed.

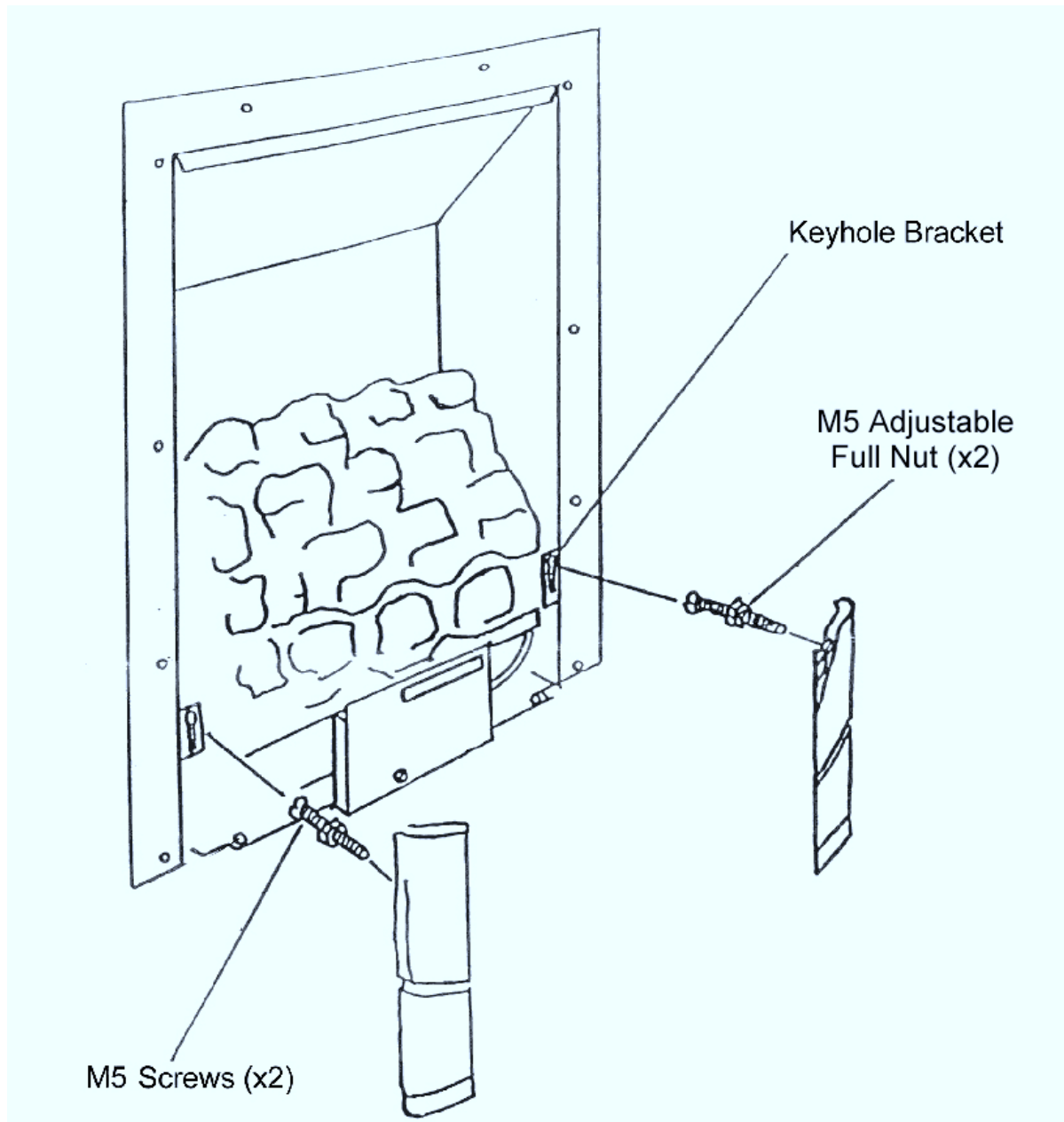
2. Attach the two magnets to the inside shorter edge on the back of the remaining top trim as shown.

3. Clip the top trim over the corner washers and sides of the trim.

Fret Fixing Instructions

Depending on the model of fire you have purchased, your fire may have been supplied with a fret that locates on keyhole brackets.

If there are separate instructions supplied with the fret please refer to those.



Use the two M5 screws and two M5 nuts to fix fret to fire as follows:

1. Thread nut onto screws up to the screw head.
2. Insert the two M5 screws into the back of the fret, and screw in as far as they will go.
3. Then offer up the front fret to the fire so that the screw heads go through the keyhole bracket (shown in Diagram). Screw up nuts so they also just fit through the keyhole brackets and adjust to space fret accordingly so that the fret is secure and square.

Operating the Appliance

The gas control valve is situated at the base of the fire tray behind the ash pan cover along with the data information badge. The gas control valve incorporates a thermoelectric oxygen depletion device, which in the event of a problem with the flue performance causing the spillage of products into the room, the valve will automatically shut off the gas and turn off the fire. If the appliance switches off automatically, wait for a minimum of 3 minutes then re-light the fire as described but if the fire continues to switch off automatically, seek professional advice.

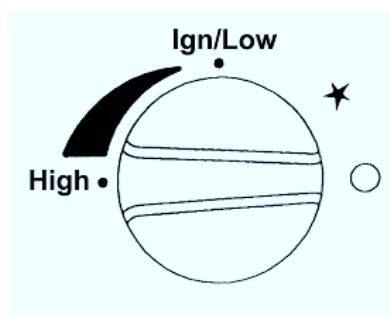


Diagram 5

The gas control valve situated behind the fire front offers the following settings: Off, Ignition / Low and High. **Diagram 5**

To light the fire, press in the black control knob and hold in whilst turning anti-clockwise past the spark position (one click) to the Ign/Low position of the fascia. The Burner should now light on Low.

IMPORTANT: If the burner has failed to ignite after 3 attempts you MUST wait for 3 minutes, prior to attempting to re-light.

Having confirmed that the burner is alight, keep the control knob pressed in for further 10 seconds and then release. The burner should now stay alight on low. If it does not, repeat the procedure.

Now press the control knob in a short way and continue turning fully anti-clockwise to the High flame position.

The burner can now be adjusted to the required setting.

To turn the fire off, push the knob in and turn clockwise to the "O" position.

Checking the Pressure at the Inlet Elbow

The pressure test point is positioned on the inlet elbow. The inlet pressure can be verified and the soundness of all the gas joints tested up to the fire can now be checked. The fire is set in the factory to operate at the heat input stated in these instructions when the fire is supplied at 20mbar at the inlet elbow.

The fire is supplied with a restrictor elbow/ptp, ensure that the restrictor is screwed fully out prior to replacing the sealing cover. Check the pressure with the fire alight and on its High setting.

After testing, remove the manometer, replace the pressure test screw and check for leaks using leak detection fluid.

Fire Guard

A label is attached to the fire, which states: -

WARNING – This appliance has a naked flame. A fireguard to British Standard 6539 or 6778 should be used for the protection of young children, the elderly and the infirm.

Spark Failure

The gap between the spark electrode tip and the burner face must be 3.5 to 4.5mm.

In the event the spark fails, the burner may be ignited manually by holding a lighter taper above the burner port, turning the knob to the ignition/Low position and press the knob in.

Final Briefing to the Customer

Hand all the instructions to the customer.

Clean and check the appliance for any marks.

Instruct on the safe operation of the fire and the need for regular service.

Explain the flue spillage monitoring system and stress that if the appliance repeatedly switches off, turn off the fire and seek professional advice.

Inform the customer that under no conditions should extra coals be added to the fire bed. Only authorised spare parts should be fitted and only the correct quantity.

Recommend that the fire should be serviced and the flue checked annually by a competent person (Gas Safe Registered).

Commissioning the Fire

Check for Spillage

The appliance must be tested for spillage.

Close all the doors and windows in the room containing the appliance.

The appliance must be completely installed with all the ceramics fitted including the coals, the front and fret and the fire surround.

Light the fire and turn it to its High setting for 5 min.

Take a lighted smoke match and place it under the centre of the appliance canopy. **Diagram 6**

All the smoke should be drawn into the flue.

If the smoke is not drawn into the appliance, allow it to run on High for a further 10 min.

If the smoke is still not drawn into the appliance, inspect the sealing strip seal on the rear of the fire to the flue and rectify if required and retest.

When the test has been completed satisfactorily, repeat with all doors open but keep all the windows closed and turn on at highest setting any extractor fans anywhere in the building.

If the test is satisfactory, continue with the installation. If smoke is not drawn into the appliance, disconnect the fire, explain to the customer the probable cause of failure and affix a warning notice if applicable and seek advice.

Flue Spillage Monitoring

The appliance incorporates a flue spillage monitoring system that will automatically shut off the gas supply to the fire in the event of flue blockage or lack of ventilation into the room.

WARNING: the oxygen depletion device should NOT be adjusted or put out of operation. Replace only with the correct item from the original manufacturer.

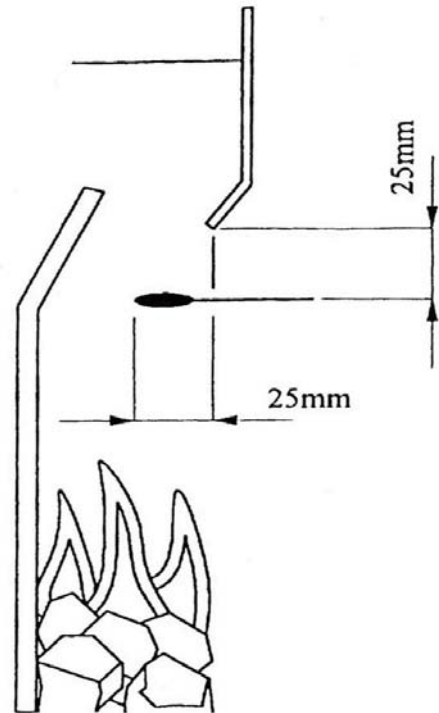


Diagram 6

Servicing & Maintenance

Turn off the gas supply before servicing the appliance.

Ensure that the appliance is cold.

Clean any soot or debris from the burner port and ignition ladder.

Clean any soot or debris from the ceramic parts using a soft brush.

Replace all ceramic parts as detailed in these instructions.

Always test for gas soundness and carry out a spillage test after servicing this appliance.

Removing the Burner Assembly

1. Lay protective dustsheet in front of the fire.
2. Lift and remove the fire front, ash pan cover and the decorative trim, which is held in place with magnets.
3. Remove the burner beds front and rear.
4. Remove 11 loose coals.
5. Disconnect from the gas supply.
6. Remove the three screws fixing the burner assembly and remove burner.
7. Re-assemble all parts in reverse order of removal.

Removing the Thermocouple

Remove all components as detailed in Removing the Burner Assembly.

Undo the thermocouple nut at the rear gas tap.

Undo the tube nut to the injector.

Undo the outer two M4 nuts securing the piezo heat shield to the front coal support bracket.

Pull the piezo heat shield away from the studs to reveal the burner M5 nuts.

Remove the two M5 nuts securing the front coal support to the burner.

Remove the piezo igniter cable at the electrode.

Lift the burner away and remove the nut securing the thermocouple.

Re-assemble all parts in reverse order of removal and check for leaks.

Removing the Gas Control Tap

1. Remove all components as detailed in Removing the Burner Assembly.
2. Disconnect the HT lead from the Electrode.
3. Undo the thermocouple nut at the rear of the gas tap.
4. Undo the 2 tube nuts on the tap end of the connecting tubes.
5. Remove the control knob by pulling it off the spindle.
6. Undo the fascia-securing nut and remove the gas control tap.
7. Re-assemble all parts in reverse order of removal.

Removing the Injector

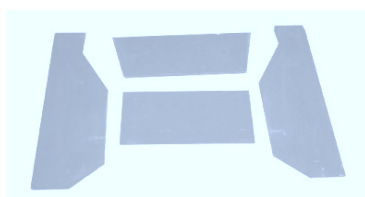
1. Remove all components as detailed in Removing the Burner Assembly.
2. Undo the injector tube nut, loosen the tube nut on the gas tap end of the tube, turn the tube and unscrew the injector from the end of the burner.
3. Re-assemble all parts in reverse order of removal.

Spares List

Key	No Of	Description	Part No	GC No
1	1 set	Rear Fibre Bed (black) One Piece Front Ceramic (black) Loose Coal Bag	101761	H50-710
2	1 set	Rear Fibre Bed (cream coloured) One Piece Front Ceramic (cream coloured) Loose Pebble Bag (cream coloured)	101763	H50-711
3	1 set	Rear Fibre Bed (black) One Piece Front Ceramic (black) Loose Pebble Bag (cream coloured)	101765	H50-712
4	1	Plain Black Fibre Board Set	101305	H06-497
5	1	Plain Cream Fibre Board Set	101317	H06-499
6	1	Gas Control Tap	101996	H50-950
7	1	Elbow Injector 21/ size 77	100177	E75-148
8	1	Gas Control Knob	100171	E75-150
9	1	Copreci Thermocouple Cast Futura Thermocouple (alternative)	100287 102247	E75-149 E75-949
10	1	Electrode	100353	E75-152



4



5



6



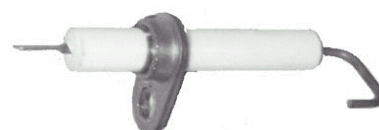
7



8



9



10

USER'S INSTRUCTIONS

To the Customer

Annual checking of the flue and regular servicing of this fire is recommended to ensure continued safe operation. Once a year is the recommended service interval. British Gas/Scottish Gas can carry out this work.

Important Notes: This appliance has been designed to work on natural gas. It is the law that all appliances using natural gas shall be installed by a competent person, who shall fit in accordance with current Gas Safety Regulations, the relevant British Standard Installation Specifications, Code of Practice and in accordance with the manufacturer's instructions and the various recommendations contained in the building regulations issued by the Department of the Environment and the building standards (Scotland) regulations issued by the Scottish Department.

FAILURE TO COMPLY WITH ANY OF THESE REGULATIONS COULD LEAD TO PROSECUTION AND DEEM THE WARRANTY INVALID.

Please ensure that you are handed all the manufacturer's documents on completion of the installation. Keep a note of the installer's name and address for future reference. Always use the fire in complete accordance with manufacturer's instructions. The flue system should be checked at least once a year to ensure there is no excessive build up of soot and to ensure the continued safe clearing of the products of combustion. Parts of this appliance become naturally hot during use.

WARNING: this appliance has a naked flame. A fireguard to BS 6539 or 6778 should be used for the protection of young children, the elderly and the infirm.

No combustible materials or flooring should protrude onto or to be placed on the hearth. Do not use this fire as a drying appliance. Do not use this appliance without the correct number of fibre coals, as described in the installation section. Additional coals **MUST NOT BE USED**. Do not throw or attempt to burn any other materials on this fire. Please ensure that before this fire is fitted, the flue has been swept and checked for obstructions or defects within the flue, which may prevent the free flow of products of combustion. Any purpose – provided ventilation should be regularly checked to ensure there are no blockages.

If the pilot or fire goes out for any reason, do not attempt to re-light for 3 minutes.

It is quite usual that after first lighting the fire will give off an unusual odour or flame pattern. This should not cause concern, as the appliance will burn itself in after approximately 30 minutes.

Ventilation

This appliance does not normally require additional ventilation into the room. For Republic of Ireland, ventilation may be required. Refer to local rules in force.

Replaceable Parts

The ceramic coal and fuel bed is a user replaceable part. Please refer to the Installation Instructions.

Cleaning the Appliance

Before cleaning the appliance, ensure that the fire is turned off and cold.

The fibre back, coals and fire bed may discolour in use. This is normal on this type of this gas appliance.

This product uses components containing Refractory Ceramic Fibre (RCF), which are man-made vitreous silicate fibres. Excessive exposure to these materials may cause temporary irritation to eyes, skin and respiratory tract, consequently, it makes sense to take care when handling these articles to ensure that the release of dust is kept to a minimum. To ensure that the release of fibres from these RCF articles is kept to a minimum, during installation and servicing we recommend that you use a HEPA filtered vacuum to remove any dust and soot accumulated in and around the fire before and after working on the fire. When replacing these articles we recommend that the replaced items are not broken up, but are sealed within a heavy polythene bag, and clearly marked as RCF waste. RCF waste is classed as a stable, non-reactive hazardous waste and may be disposed at a landfill licensed to accept such waste. Protective clothing is not required when handling these articles, but we do recommend you follow the normal hygiene rules of not smoking, eating or drinking in the work area and always wash your hands before eating or drinking.

Debris from any source or soot formed will require removal. This should be carried out by a competent person. Soot will normally burn itself off as the fire operates. If the soot becomes excessive, the coal, fire beds should be carefully removed. Cleaning must only take place in the open air or a well-ventilated room using a soft brush on all parts including the fibre back panel. We do not recommend the use of an ordinary vacuum cleaner.

If excessive debris or soot has been formed it may indicate a problem with the flue or fire which must be investigated and repaired if required by a competent person.

When refitting the coals and fire bed refer to the section in the installation instructions.

Painted surfaces – only clean with a dry cloth.

Arched Cast Trim, Front and Fret – the trim must only be cleaned using a dry or damp cloth with a very mild detergent. **DO NOT USE ABRASIVE CLEANERS.**

Data Information

For data information please refer to the data plate on the front of the fire tray or in the installation instructions.

Clearances to Combustible Surfaces

Wooden/combustible shelf may be fitted above the fire as long as it is more than 200mm above the fire (785mm above the hearth) and the shelf does not project more than 100mm in front of the fixing plane. If the shelf overhangs more than 100mm the distance to the fire must increase as shown in the graph in the installation section.

Wooden/combustible materials may be fitted to within 100mm on either side of the fire (minimum 660 between uprights), providing it does not project forward more than 100mm. If the projection is greater than 100 mm the side clearance must be increased, by 25mm per 25mm increase in the projection.

Non-combustible materials may be fitted to within 10mm either side of the fire.

Any combustible sidewall must be a minimum of 500mm from the opening.

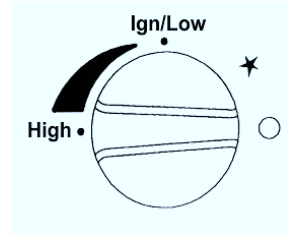
Combustible items such as flooring, furniture and soft wall covering such as blown vinyl and embossed papers may scorch or discolour if placed close to the fire.

Operating the Appliance

The gas control valve is situated at the base of the fire tray behind the ash pan cover along with the data information badge.

The gas control valve incorporates a thermoelectric oxygen depletion device, which in the event of the problem with the flue performance causing the spillage of products into the room, the valve will automatically shut off the gas and turn off the fire.

If the appliance switches off automatically, wait for a minimum of 3 minutes then re-light the fire as described but if the fire continues to switch off automatically, seek professional advice.



The gas control valve situated behind the fire front offers the following settings: Off, Ignition / Low and High

To light the fire, press in the black control knob and hold in whilst turning anti-clockwise past the spark position (one click) to the Ign/Low position of the fascia. The Burner should now light on Low.

IMPORTANT: If the burner has failed to ignite after 3 attempts you **MUST wait** for 3 minutes prior to attempting to re-light.

Having confirmed that the burner is alight, keep the control knob pressed in for further 10 seconds and then release. The burner should now stay alight on low. If it does not, repeat the procedure.

Now press the control knob in a short way and continue turning fully anti-clockwise to the High flame position.

The burner can now be adjusted to the required setting.

To turn the fire off, push the knob in and turn clockwise to the "O" position.

Spark Failure

In the event of a defective igniter, the pilot can be lit manually by repeating the lighting procedure, this time using a lighted taper near to the burner when the control knob is turned through the spark position. Once pilot is lit, follow the instructions as normal.

Servicing

All servicing must be carried out by a Gas Safe Registered Engineer.

The fire and flue should be checked on a regular basis to ensure that products of combustion are entering the flue and there is no evidence of large deposits of soot on or in the fire bed.

Servicing must be carried out annually and by a competent person, such as a Gas Safe Registered Engineer. If an operational or ignition fault develops it must not be used until it has been corrected by a competent person.

Important notice to customer

The cream fibreboard, which may be supplied with this appliance, may discolour on its initial startup.

Please do not be alarmed as this is due to the starch content used in the curing process of the fibre burning out. The fibre will show signs of discolouration for approximately 1 hour. After this time the starch content will have burnt out to leave the board close to its original cream colour.

For cleaning the appliance, please refer to the section in the users instructions headed "Cleaning the Appliance".

Please note that this process is in no way detrimental to the safe operation of the fire.

The model number of this appliance is as stated on the rating plate.

In the event of any problems, please telephone (0191) 430 0901. This product has been manufactured by Be Modern Appliances, Pilgrim Way, Bede Industrial Estate, Jarrow, NE32 3HG.