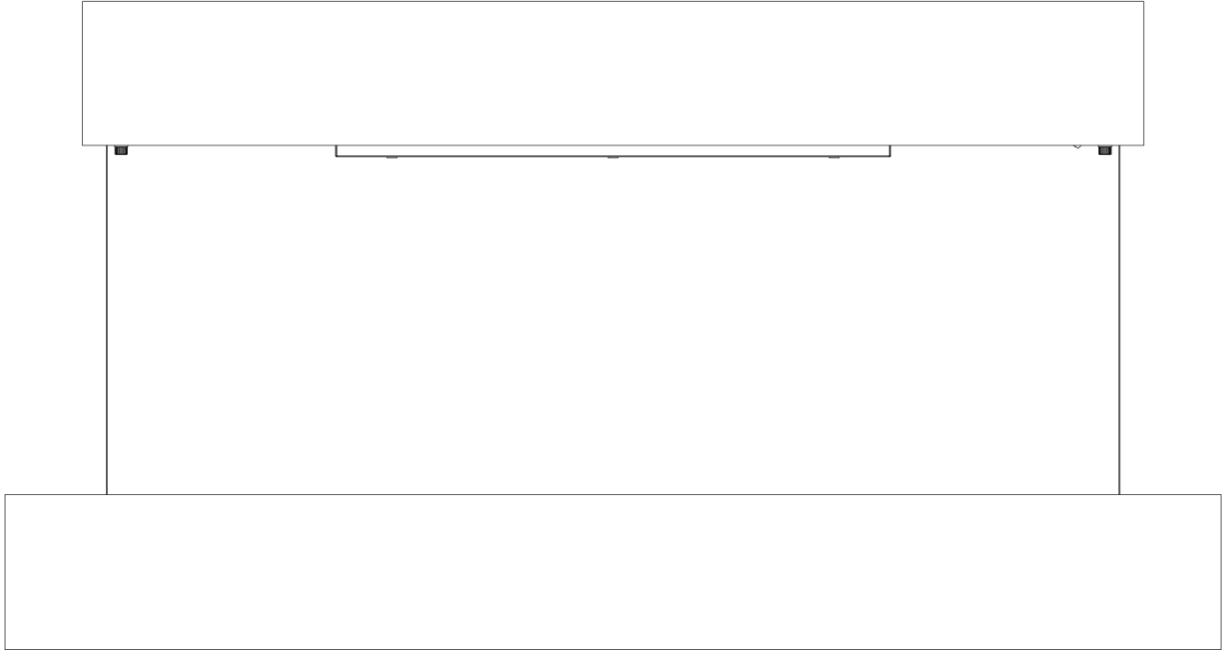


2kW Wall Mounted Electric Fire

Installation Instructions & Operating Manual



BOSTON

**Please read the instructions carefully before installation or
use of this electric fire and retained for future reference.**

TABLE OF CONTENTS

SECTION 1: WARNINGS & ELECTRIC SPECIFICATIONS

1.1 Important Safety Instructions	2
1.2 Specifications	3

SECTION 2: INSTALLATION

2.1 Tools required	3
2.2 Unpacking the Fireplace	3
2.3 Parts and hardware	4
2.4 Assembly.....	5, 6,7

SECTION 3: OPERATING INSTRUCTIONS

3.1 Operating by Manual Button	8
3.2 Operating by Remote Handset	9

SECTION 4: MAINTENANCE

4.1 Remote Handset Battery Replacement	10
4.2 Maintenance of Motors	10
4.3 Resetting the Thermal Cutout Switch	10
4.4 Cleaning the Fireplace	10
4.5 Environment.....	10



CAUTION: BEFORE OPERATING THIS EQUIPMENT
PLEASE READ THESE INSTRUCTIONS CAREFULLY.

SECTION 1 WARNINGS & ELECTRIC SPECIFICATIONS

1.1 Important Safety Instructions



This symbol alerts you to potential hazards that can kill or hurt you and/or others.

DO NOT:

- *install or operate damaged heater*
- *modify heater*
- *operate the heater without fully assembling all components*



WARNING! Improper installation, adjustment, alteration, service or maintenance can cause injury or property damage. Refer to the owner's information manual provided with this heater. For assistance or additional information consult a qualified installer, service agency or your dealer.



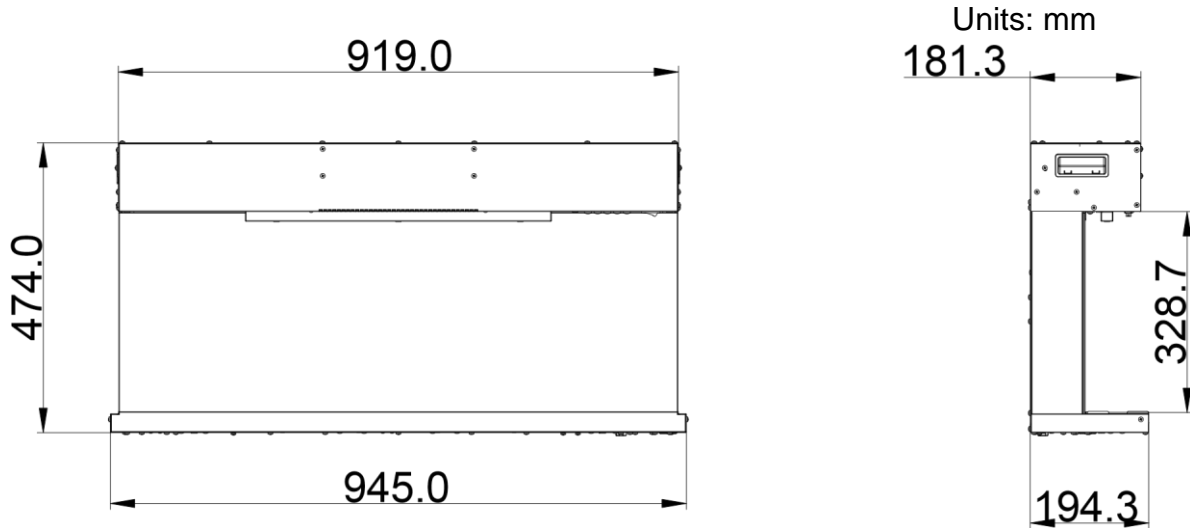
WARNING! When using electrical heaters, basic precautions should always be followed to reduce the risk of fire, electric shock and injury to persons, including the following:

- This heater must not be located immediately below a socket-outlet.
- This heater must be earthed. If in any doubt consult a suitable competent person.
- This appliance can be used by children aged from 8 years and above and persons with reduced physical, sensory or mental capabilities or lack of experience and knowledge if they have been given supervision or instruction concerning use of the appliance in a safe way and understand the hazards involved.
- In order to avoid a hazard due to inadvertent resetting of the thermal cutout, this appliance must not be supplied through an external switching device, such as a timer, or connected to circuit that is regularly switched on and off by utility.
- This appliance is not intended for use by persons (including children) with reduced physical, sensory or mental capabilities, or lack of experience and knowledge, unless they have been given supervision or instruction concerning use of the appliance by a person responsible for their safety.
- Children shall not play with the appliance.
- Cleaning and user maintenance shall not be made by children without supervision.
- Children of less than 3 years should be kept away unless continuously supervised.
- Children aged from 3 years and less than 8 years shall only switch on/off the appliance provided that it has been placed or installed in its intended normal operating position and they have been given supervision or instruction concerning use of the appliance in a safe way and understand the hazards involved. Children aged from 3 years and less than 8 years shall not plug in, regulate and clean the appliance or perform user maintenance.
- Some parts of this product can become very hot and cause burns. Particular attention has to be given where children and vulnerable people are present.
- Do not use this fire as a free-standing appliance. It must always be fixed to the wall, fireplace mantel, floor etc.
- Do not cover this heater, or obstruct the air inlet or outlet, otherwise there is a risk of overheating.
- Do not use the heater outdoors or in the immediate surrounds of a bath, shower, or a swimming pool.

1.2 Specifications

Voltage 220-240 V AC, 50 Hz
Total Watts.....2000 Watts

Dimensions



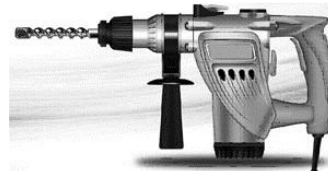
SECTION 2 INSTALLATION

2.1 Tools required

Magnetic Phillips Screw Driver



Rotary Hammer



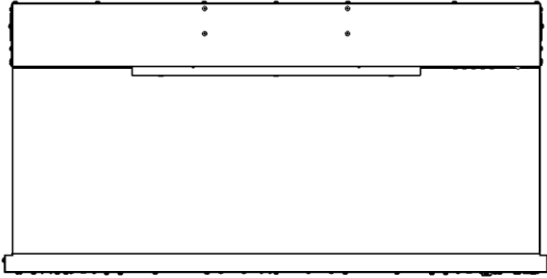
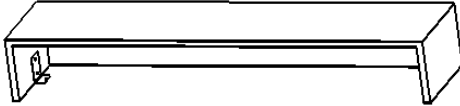
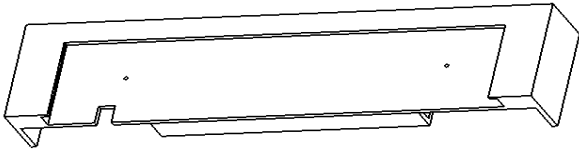
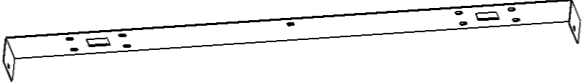
2.2 Unpacking the Fireplace



WARNING! Do NOT use this appliance if any part has been under water.
Immediately call a qualified service technician to inspect and to replace any part of the electrical system if necessary.
Keep plastic wrapping away from children.

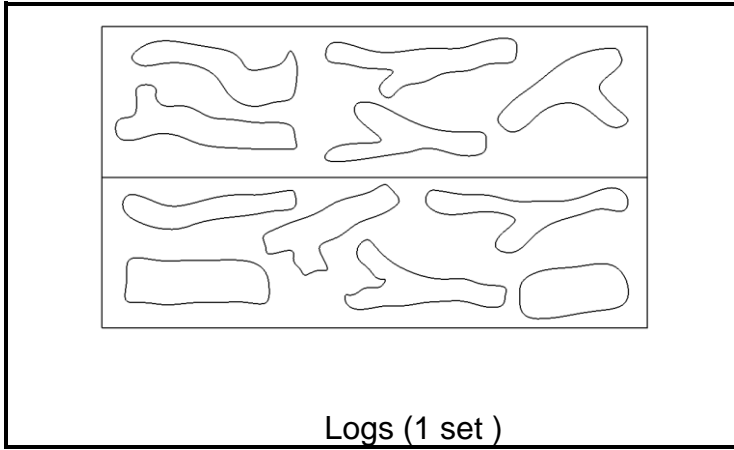
- Open the packaging carefully and remove the foam.
- Remove and discard the plastic bag.
- Be responsible when handling the packing materials.
- Keep the original packaging for future transport and/or storage.
- Check all accessories are got before you keep the packing.

2.3 Parts and hardware

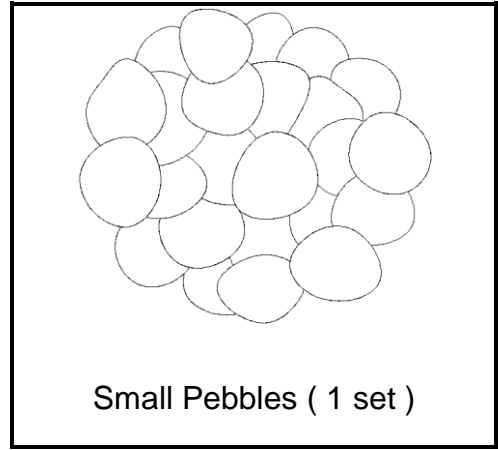
PARTS AND HARDWARE	
 <p>Firebox (1)</p>	 <p>Upper wood section(1)</p>
 <p>Lower wood section(1)</p>	 <p>NOTE: The wall mount bracket is attached to the back of the firebox by two ST4*8 screws.</p>

PARTS & HARDWARE - GENERAL

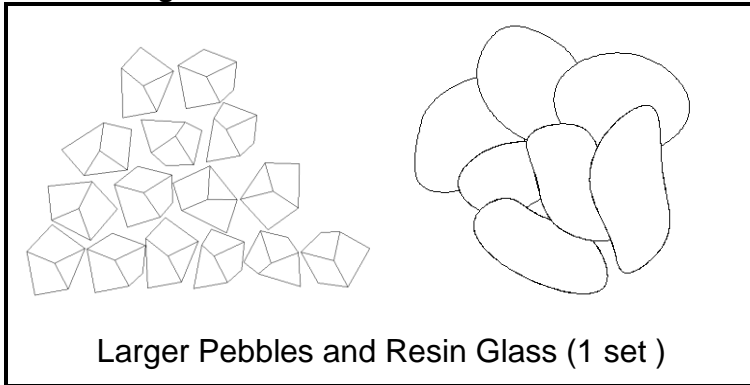
Box 1 – Log set



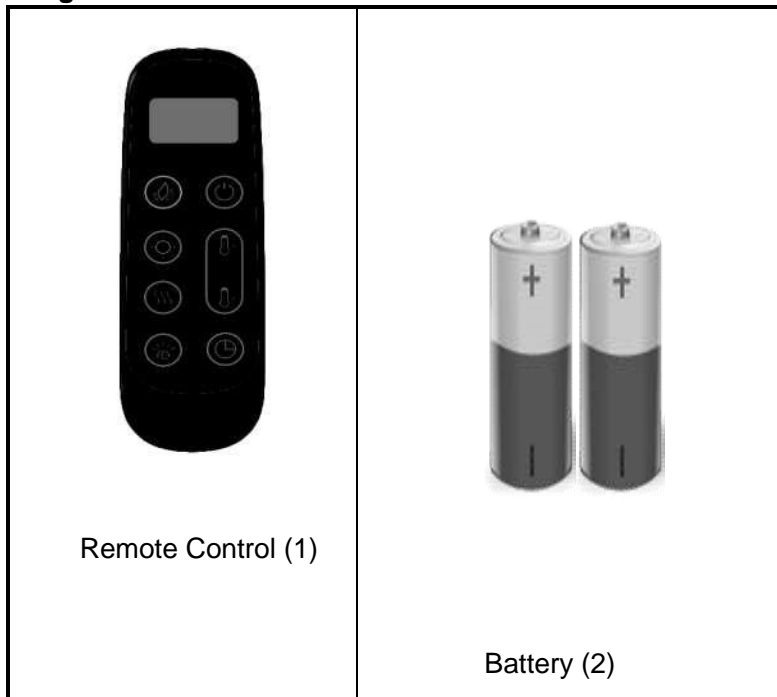
Box 2 – Small Pebbles



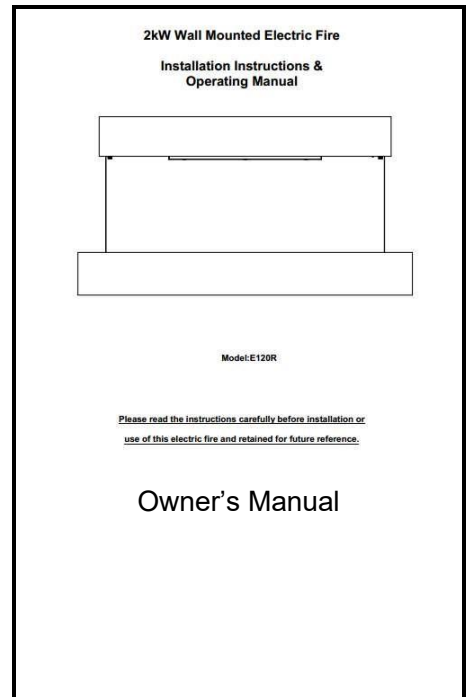
Box 3 – Larger Pebbles and Resin Glass

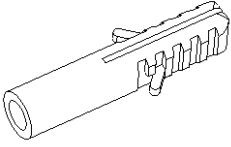
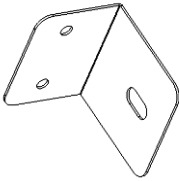
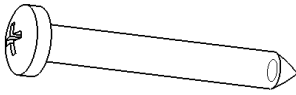
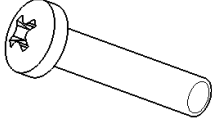
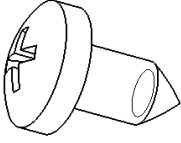
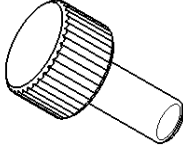
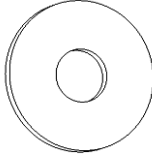


Bag 1 – Remote Control & Wall-mounted Hardware



Owner's Manual



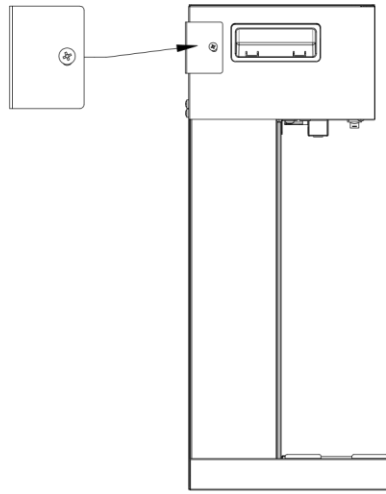
 <p>Φ8x40 Drywall Anchors (7)</p>	 <p>L brackets(2)</p>	 <p>Screw ST5*40 (7)</p>	 <p>Screw M5*25 (2)</p>
 <p>Screw ST4*8 (1)</p>	 <p>Thumb Screws (2)</p>	 <p>Washer Φ5.3*Φ15*1.2(2)</p>	

2.4 Assembly

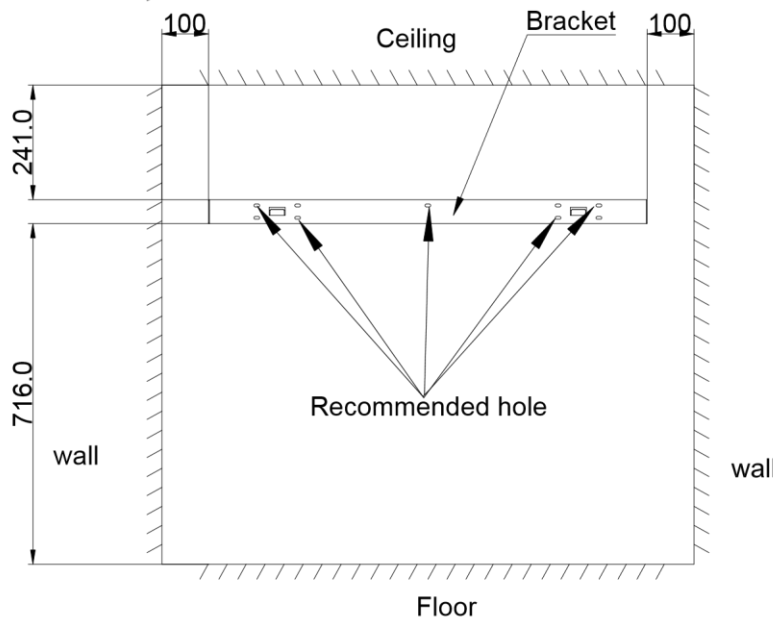
LOCATING YOUR ELECTRIC FIREPLACE

Your new electric fireplace may be installed virtually anywhere in your home. However, when choosing a location ensure that the general instructions are followed. For best results, install out of direct sunlight. Power supply service must be either completed or placed within the electric fireplace prior to finishing to avoid reconstruction.

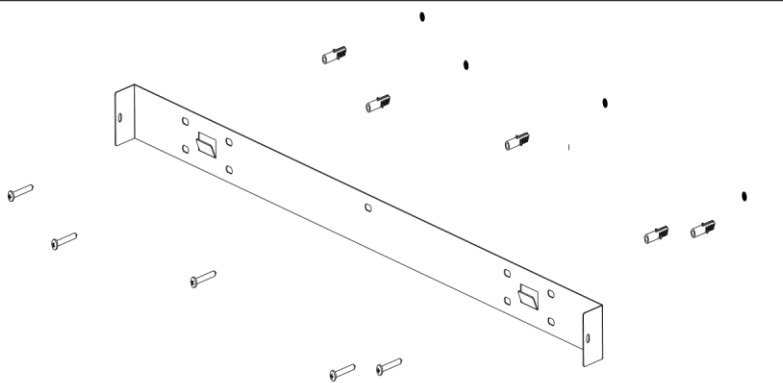
WARNING ! Keep drapery and other furnishings at least 3ft /0.9m from the front of the electric fireplace.



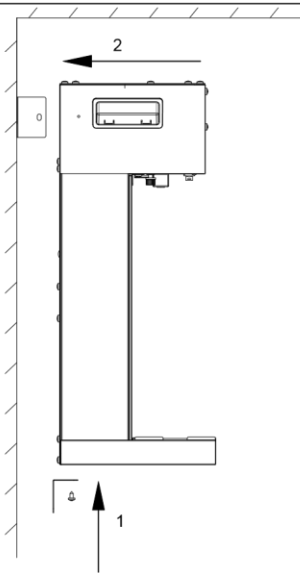
Step 1. Open the box and take out the product. Unscrew the wall mounting brackets that fixed on the upper left and right sides and keep the two screws.



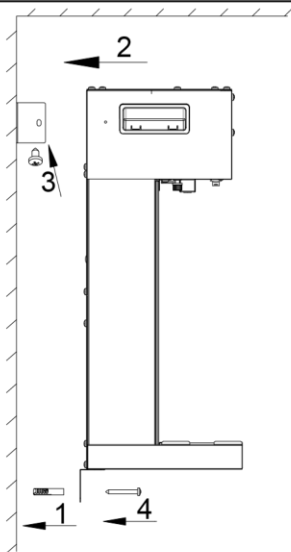
Step 2. Choose a solid wall and fix the wall-mounted brackets in the position where you want to install the fireplace. Mark five holes using the holes on the brackets. Drill the marked position using a suitable sized drill bit for the chosen fixings.
NOTE: The distance among the brackets, sides, ceiling, and floor should be no less than the size in the picture.



Step 3. Nail the plastic wall plug into the five holes. Then use five ST5*40 screws to fix the brackets on the wall.

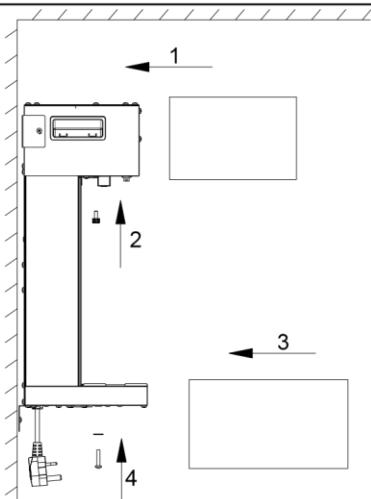


Step 4. Use four ST4*8 screws to fix the L brackets on the baseplate of the fire. Hang the fireplace on the brackets and mark the two holes of the L brackets on the wall. Then take down the fireplace.



Step 5. Drill two holes with 8mm diameter on the marked place. Install two plastic wall plugs. Fix the fireplace on the bracket with two ST4*8 screws. Use two ST5*40 screws to fix the L brackets on the wall.

For Boston model LED installation, please follow instructions detailed on enclosed page.



Step 6. Take out the upper wooden section and insert it to the upper fireplace part. Use the two M5*12 screws to fix on both sides of the fireplace. Insert the lower wooden section to the lower fireplace part. Put the washers on two M5*25 screws and use them to fix the L brackets.

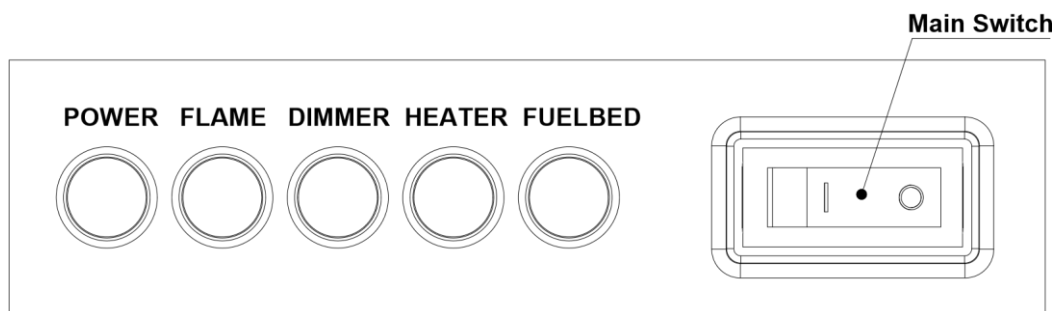
SECTION 3 OPERATING INSTRUCTIONS

This appliance can be operated by both remote control and manual button. Once the unit has been properly connected to an earthed electrical outlet, turn on the main switch located on the right hand side of the appliance. A beep should be heard when the power is first applied.


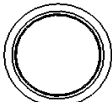
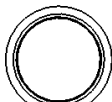

NOTE! To use both remote and manual functions the manual on/off switch must be in 'ON' position. In order to protect the product not becoming too hot, there is 10s delay when turning on the heater; also there is 10s delay when turning off the heater fan.

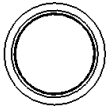

3.1 Operating by Manual Button

NOTE! The manual button on the fire box unit will not provide you with all function control, and its propose is to control some basic function when you lose the remote handset. Please use the remote hand set to carry out all functions.





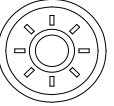
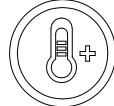
NOTE: The flame will always on when the appliance is on.







BUTTON	NAME	FUNCTION
	MAIN SWITCH	Turn on the main power supply. A long "beep" sound will be heard when the switch is turned on On Position "1". Note: The remote control will lost the memory for function settings when the switch is turned on Off Position "0"
POWER 	POWER	Turn on. Flame A, High dimmer and fuel bed effect are enabled. All the functions are off in the standby mode, it will memorize the working condition of flame effect, dimmer and fuel bed.
FLAME 	FLAME	The flame will be cycled Flame A – Flame B – Flame C. Flame A: full bright flame Flame B: full bright flame+ blue Flame C: blue flame
DIMMER 	DIMMER	The flame dimmer will be cycled High dimmer – Medium dimmer – Low dimmer

<p>HEATER</p> 	<p>HEATER</p>	<p>The heater will be cycled Low – High – Heater Off. You will see the indicator light illuminates on the right to Power Switch. The indicator light goes out within 10s.</p> <p>Low: (●○) High: (●●)</p> <p>Note: The Fan works anterior to the heater about 10s, and turns off later than the heater about 10s.</p>
<p>FUELBED</p> 	<p>FUEL BED</p>	<p>Controls the LED light strips at the bottom of the fuel bed. The LED lights include alternating color combinations.</p>

3.2 Operating by Remote Handset

- Make sure the batteries are installed properly in the remote control.
- The effective range of the remote control is up to 4 meters or 13 feet

BUTTON	FUNCTION	ACTION & INDICATION
 <p>ON/OFF</p>	<p>ON: Turns on. Note: All the functions are off in the standby mode, it will memorize the working condition of flame effect, dimmer and fuel bed.</p> <p>OFF: Returns the unit to standby mode. Turns off flame effect and disables all the remote control functions.</p>	<p>1. Press. The flame effect and the remote control functions are enabled. The flame setting will display on the remote control screen.</p> <p>2. Press. The flame effect and all the functions will turn off. The remote control screen will go blank.</p>
 <p>FLAME</p>	<p>Controls the flame effect brightness. Cycles through 3 levels of flame brightness and turn off.</p>	<p>1. Press once to turn the flame effect on. 2-4. Press again to cycle through 3 levels of flame brightness.</p>
 <p>DIMMER</p>	<p>The flame dimmer will be cycled High dimmer – Medium dimmer – Low dimmer</p>	<p>1. Press once to turn the medium dimmer. 2-4. Press again to cycle through 3 levels of dimmer.</p>
 <p>TEMP UP</p>	<p>Controls the thermostat setting. Thermostat: Automatically turns the heater on and off to maintain the temperature. If the thermostat is set below the room temperature, the heater will turn off.</p>	<p>1. Turn the heat on. Press. The temperature displays 24°C. 2-13. Press again to increase the temperature by 1°C interval up from 16°C to 28°C (maximum setting).</p>

 TEMP DOWN	<p>NOTE: The thermostat only works when the heater is on.</p> <p>NOTE: The heat will not change as the room temperature change when there is no temperature shows on the remote screen.</p> <p>NOTE: It will change between °C and °F after pressing the button for 3s. 60-84°F corresponds to 16-28°C. It can not be operated in the standby mode, but the temperature still displays on the remote control screen.</p>	<p>1. The original temperature setting is 23°C. Press. The temperature displays 22°C.</p> <p>2-13. Press again to decrease the temperature by 1°C interval from 28°C to 16°C (minimum setting).</p>
 HEATER	<p>Turns heater on and off.</p> <p>NOTE: If the thermostat is set below the room temperature, the heater will not turn on.</p> <p>NOTE: To prevent overheating, the fan blows cool air for 10 seconds before the heater turns on, and 10s after the heater turns off.</p>	<p>1. Press. The heater turns on. The remote control screen displays the heat symbol:</p>  <p>2. Press. The heater turns off. The fan blows cool air for 10 seconds.</p>
 FUEL BED	<p>Controls the LED light strips at the bottom of the fuel bed. The LED lights include individual and alternating color combinations.</p>	<p>1-14. Press. Cycles through 13 color options of the fuel bed.</p>
 TIMER	<p>Controls the timer settings. The timer turns off the fireplace at the set time, from 0.5 hours to 9.0 hours.</p>	<p>1-10. Press . Timer setting: 0.5H, 1.0H, and then each hour up to 9.0H. </p> <p>11. Press. Off. No time is displayed.</p>

SECTION 4 MAINTENANCE



Warning: Before any maintenance and/or cleaning the exterior of the fireplace, disconnect the unit from the power supply and leave until cooled off.

4.1 Remote Handset Battery Replacement

Replace with two AAA batteries. Make sure the batteries are installed correctly in the remote control.

4.2 Maintenance of Motors

The motors used on the fan and flame effect are pre-lubricated for extended bearing life and require no further lubrication. However, periodic cleaning/vacuuming of the fan/heater unit is recommended.

4.3 Resetting the Thermal Cutout Switch

The appliance is fitted with an Electronic Safety Control (E.S.). This is a safety device, which switches off the fire if, for any reason, the appliance overheats, e.g. when covered. If the heater stops operating whilst the flame effect continues normally, this indicates that the E.S. Control is in operation. The E.S. Control can only be re-set after the appliance has cooled down, in order to reset the E.S. Control proceed as follows:

- Switch off the appliance (Manual On/Off switch) and leave for approximately 10-15 minutes.
- Remove any obstruction to the fan heater outlet or fan blades etc. Make sure that the power supply is disconnected at the plug socket outlet whilst you do this.

- Switch on appliance and the E.S. Control will re-set.
- Ensure that the appliance is functioning correctly. If the E.S. Control operates again, the appliance should be checked by a competent Electrician.

4.4 Cleaning the Fireplace

You can clean the exterior of the fireplace with a soft, damp, lint-free cloth. Do not use cleaning or polishing products. To remove fingerprints or other marks on the front glass panel, use a soft, damp, lint-free cloth with a good quality household glass cleaner. The front glass panel should always be completely dried with a clean, lint-free cloth or paper towel.



Caution: Do not use abrasive cleaners on the glass panel. Do not spray liquids directly onto any surface of the unit.



Warning: An authorized service representative should perform any other servicing.

4.5 Environment



Meaning of crossed –out wheeled dustbin:

Do not dispose of electrical appliances as unsorted municipal waste, use separate collection facilities. Contact your local government for information regarding the collection systems available. If electrical appliances are disposed of in landfills or dumps, hazardous substances can leak into the groundwater and get into the food chain, damaging your health and well-being. When replacing old appliances with new ones, the retailer is legally obligated to take back your old appliance for disposals at least free of charge.

Boston addendum instructions.

Follow these instructions after attaching fire to the wall
To connect the LED Flying Lead, Please follow pictures as shown:-

- 1) Locate the lower mantle close to the fire, remove the two screws fixing the cover next to the power cable and remove the cover, revealing a flying lead.
- 2) Push the male connector from the fire and the female connector from the hearth together as shown, then put both ends of the flying lead into the space and reattach the cover
- 3) Slide the lower mantle onto the fire pushing it all the way back to the wall, making sure the cable sits between the mantle and fire base, as shown.
- 4) Fix the lower mantle section with the two M5*25 screws and washers supplied

