



Code	ACORN4F
Output	4.2kW
Log length	200mm
Nett efficiency	84.1%
Width	330mm
Height	465mm
Depth	360mm

Compact in size and perfectly formed, the Acorn View, with its large glass viewing area, is ideal for cosy living areas. Offering all the features expected of an Arada stove, the Acorn View is efficient, easy to operate and built to last.

Features

- Lifetime guarantee
- Preheated airwash system for clean glass
- Stainless steel ash pan
- Burns wood or solid fuel
- Externally controlled riddling grate
- Patented Flexifuel System
- Primary and secondary burn to improve efficiency
- Top or rear 102mm (4") flue outlet

Optional Extras

- Add-in Boiler - [AIB7]
- Arada Ash Carrier - Small - [ARA016]
- Arada Universal Stand - [STAND001]
- Floor Fixing Kit - [AFS1135]
- Universal Stand/Log Store - [STAND003]

Acorn View 4 - Technical Information

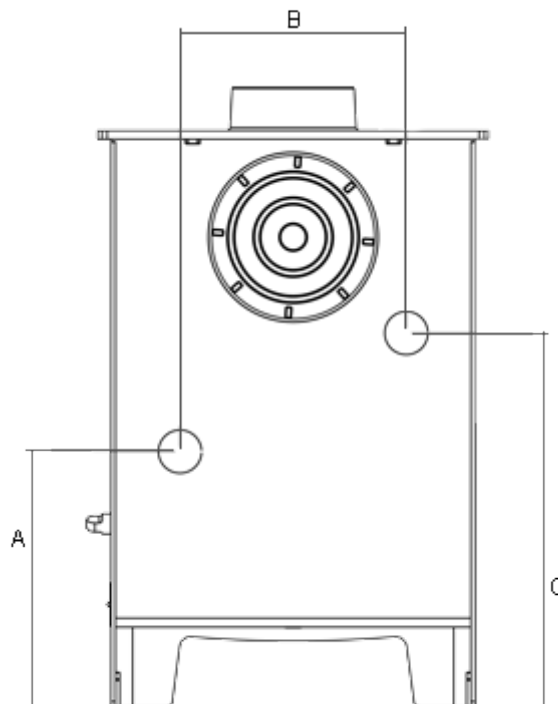
Code	ACORN4F
Output range	1-5.5kW
Nett efficiency	84.1 %
Refuelling period	1 hour
Width	330mm
Height	465mm
Depth	360mm
Height to centre of rear flue	372mm
Added height when on stand	200mm
Depth of back to centre of top flue	93.5mm
Flue diameter	102mm
Suitable for 12mm hearth	Yes
Under hearth temperature	51.0°C
Suitable for direct air supply kit	Yes
Packed weight	46kg
Maximum log length	200mm

Minimum Distance To Combustibles

To rear of stove	650 mm
To sides of stove	500 mm
Above stove	306 mm

Boiler Tapping Measurements

Distance A	208 mm
Distance B	191 mm
Distance C	287 mm



Add In Boiler Tapping Measurements.
Rear view example shown. Not to scale.